



**mitsubishi
ELECTRIC**

Q Series Large Type Base Unit/ I/O Module/Blank Cover

User's Manual

Q35BL	QX11L	QY51PL
Q38BL	QX21L	QG69L
Q65BL	QY11AL	
Q68BL	QY13L	
Q55BL	QY23L	

Thank you for purchasing the Mitsubishi Electric programmable controller MELSEC-Q series.

Prior to use, please read this and relevant manuals thoroughly to fully understand the product.

Programmable
Controller

MELSEC-Q

MODEL	Q-LARGE-U-J
MODEL CODE	13JY57
IB(NA)-0800407-L(1806)MEE	

● CONDITIONS OF USE FOR THE PRODUCT ●

- (1) Mitsubishi programmable controller ("the PRODUCT") shall be used in conditions;
- i) where any problem, fault or failure occurring in the PRODUCT, if any, shall not lead to any major or serious accident; and
 - ii) where the backup and fail-safe function are systematically or automatically provided outside of the PRODUCT for the case of any problem, fault or failure occurring in the PRODUCT.

- (2) The PRODUCT has been designed and manufactured for the purpose of being used in general industries.

MITSUBISHI SHALL HAVE NO RESPONSIBILITY OR LIABILITY (INCLUDING, BUT NOT LIMITED TO ANY AND ALL RESPONSIBILITY OR LIABILITY BASED ON CONTRACT, WARRANTY, TORT, PRODUCT LIABILITY) FOR ANY INJURY OR DEATH TO PERSONS OR LOSS OR DAMAGE TO PROPERTY CAUSED BY the PRODUCT THAT ARE OPERATED OR USED IN APPLICATION NOT INTENDED OR EXCLUDED BY INSTRUCTIONS, PRECAUTIONS, OR WARNING CONTAINED IN MITSUBISHI'S USER, INSTRUCTION AND/OR SAFETY MANUALS, TECHNICAL BULLETINS AND GUIDELINES FOR the PRODUCT.

("Prohibited Application")

Prohibited Applications include, but not limited to, the use of the PRODUCT in;

- Nuclear Power Plants and any other power plants operated by Power companies, and/or any other cases in which the public could be affected if any problem or fault occurs in the PRODUCT.
- Railway companies or Public service purposes, and/or any other cases in which establishment of a special quality assurance system is required by the Purchaser or End User.
- Aircraft or Aerospace, Medical applications, Train equipment, transport equipment such as Elevator and Escalator, Incineration and Fuel devices, Vehicles, Manned transportation, Equipment for Recreation and Amusement, and Safety devices, handling of Nuclear or Hazardous Materials or Chemicals, Mining and Drilling, and/or other applications where there is a significant risk of injury to the public or property.

Notwithstanding the above, restrictions Mitsubishi may in its sole discretion, authorize use of the PRODUCT in one or more of the Prohibited Applications, provided that the usage of the PRODUCT is limited only for the specific applications agreed to by Mitsubishi and provided further that no special quality assurance or fail-safe, redundant or other safety features which exceed the general specifications of the PRODUCTS are required. For details, please contact the Mitsubishi representative in your region.

REVISIONS

* The manual number is given on the bottom right of the cover.

Print date	*Manual number	Revision
September 2015	IB(NA)-0800407-I	The Japanese manual (IB-0800407) with the English manual (IB-0800408) are combined.
November 2015	IB(NA)-0800407-J	Descriptions regarding the Q series large type base unit (AnS series size) are added. <u>Correction</u> Section 2.1
December 2016	IB(NA)-0800407-K	Descriptions are revised due to compliance with the new China RoHS. <u>Correction</u> Section 3.2.1
June 2018	IB(NA)-0800407-L	Descriptions are revised due to compliance with the Chinese standardized law.

This manual confers no industrial property rights or any rights of any other kind, nor does it confer any patent licenses. Mitsubishi Electric Corporation cannot be held responsible for any problems involving industrial property rights which may occur as a result of using the contents noted in this manual.

© 2008 MITSUBISHI ELECTRIC CORPORATION

CONTENTS

1. OVERVIEW.....	1
1.1 Overview.....	1
1.2 Features	1
1.3 Supplied Parts	3
1.4 Related Parts (Sold Separately).....	4
2. SYSTEM CONFIGURATION	5
2.1 System Configuration	5
2.2 Precautions for System Configuration	10
2.3 Modules that cannot be Mounted on the Q Series Large Type Base Unit . 12	
3. SPECIFICATIONS	13
3.1 Specifications of the Q Series Large Type Base Unit.....	13
3.2 Specifications of the Q Series Large Type I/O Module.....	14
3.2.1 Precautions for selection	14
3.2.2 Specifications of the Q series large type I/O module	28
3.3 Specifications of the Q Series Large Type Blank Cover.....	43
4. PARTS NAMES	44
4.1 Parts Names.....	44
5. MOUNTING AND INSTALLATION	48
5.1 Handling Precautions	48
5.2 Precautions for Installing the Q series Large Type Base Unit.....	49
5.3 Attaching a Fixture to the Q Series Large Type Base Unit.....	52
5.4 Mounting/Removing Modules	53
5.4.1 Mounting/removing the Q series large type I/O module.....	53
5.4.2 Attaching/removing the dustproof cover for fuse replacement window (QY23L only).....	55
5.4.3 Mounting/removing the Q series module	57
5.5 Attaching/Removing the Terminal Block.....	58
6. MAINTENANCE AND INSPECTION	59
6.1 Replacing Output Module Fuse	59
6.2 Battery Replacement	60
7. I/O MODULE TROUBLESHOOTING.....	61
7.1 Input Circuit Troubleshooting.....	61
7.2 Output Circuit Troubleshooting.....	62

8. EXTERNAL DIMENSIONS	66
8.1 Q Series Large Type Base unit	66
8.2 Q Series Large Type I/O Module.....	69
8.3 Q Series Large Type Blank Cover.....	70

GENERIC TERMS AND ABBREVIATIONS

Unless otherwise specified, this manual uses the following generic terms and abbreviations to explain the Q series large type base units, Q series large type I/O modules and Q series large type blank cover.

Generic term/abbreviation	Description
Q series large type base unit	Generic term for Q series large type main base unit and Q series large type extension base units
Q series large type main base unit	Generic term for Q35BL and Q38BL MELSEC-Q series main base units
Q series large type extension base unit	Generic term for Q65BL, Q68BL, and Q55BL MELSEC-Q series extension base units
Q series large type I/O module	Generic term for QX11L, QX21L, QY11AL, QY13L, QY23L, and QY51PL MELSEC-Q series I/O modules
Q series large type blank cover	Abbreviation for QG69L MELSEC-Q series blank cover
Q series	Abbreviation for Mitsubishi MELSEC-Q series programmable controller
A/QnA series	Abbreviation for Mitsubishi MELSEC-A/QnA series programmable controller
High Performance model QCPU	Generic term for Q02CPU, Q02HCPU, Q06HCPU, Q12HCPU, and Q25HCPU
Universal model QCPU	Generic term for Q00UCPU, Q01UCPU, Q02UCPU, Q03UDCPU, Q03UDVCPU, Q03UDECPU, Q04UDHCPU, Q04UDVCPU, Q04UDEHCPU, Q06UDHCPU, Q06UDVCPU, Q06UDEHCPU, Q10UDHCPU, Q10UDEHCPU, Q13UDHCPU, Q13UDVCPU, Q13UDEHCPU, Q20UDHCPU, Q20UDEHCPU, Q26UDHCPU, Q26UDVCPU, Q26UDEHCPU, Q50UDEHCPU, and Q100UDEHCPU
MELSECNET/H remote I/O module	General term for QJ72LP25-25, QJ72LP25G, QJ72LP25GE, and QJ72BR15
Q3□B	Generic term for Q33B, Q35B, Q38B, and Q312B main base units on which CPU module (except Q00JCPU and Q00UJCPU), Q series power supply module, Q series I/O module, and intelligent function module can be mounted
Q3□DB	Generic term for Q35DB, Q38DB, and Q312DB multiple CPU high speed main base units on which CPU module (except Q00JCPU and Q00UJCPU), Q series power supply module, Q series I/O module, and intelligent function module can be mounted
Q5□B	Generic term for Q52B and Q55B extension base units on which Q series I/O module and intelligent function module can be mounted
Q6□B	Generic term for Q63B, Q65B, Q68B, and Q612B extension base units on which Q series power supply module, Q series I/O module, and intelligent function module can be mounted
QA1S5□B	Another term for QA1S51B extension base unit on which AnS series I/O module and special function module can be mounted

Generic term/abbreviation	Description
QA1S6□B	Generic term for QA1S65B and QA1S68B extension base units on which AnS series power supply module, AnS series I/O module, and special function module can be mounted
QA6□B	Generic term for QA65B and QA68B extension base units on which A series power supply module, A series I/O module, and special function module can be mounted
A5□B	Generic term for A52B, A55B, and A58B extension base units on which A series I/O module and special function module can be mounted without power supply
A6□B	Generic term for A62B, A65B, and A68B extension base units requiring power supply on which A series I/O module and special function module can be mounted
QA6ADP	Abbreviation for QA6ADP QA conversion adapter module
QA6ADP+A5□B/A6□B	Abbreviation for A large type extension base unit on which QA6ADP is mounted
Power supply module	Generic term for Q61P-A1, Q61P-A2, Q61P, Q61P-D, Q62P, Q63P, Q64P, Q64PN power supply modules
SRAM card	Generic term for the Q2MEM-1MBS, Q2MEM-2MBS, Q3MEM-4MBS, and Q3MEM-8MBS SRAM cards
38-point terminal block	Abbreviation for MELSEC-A series 38-point terminal block

1. OVERVIEW

1.1 Overview

These products are used to utilize 38-point terminal block mounted on existing A series I/O module without change when replacing the A/QnA series by the Q series.

The following table shows the corresponding models for replacement.

A series I/O module model to be replaced	Q series large type I/O module replacement model
AX11	QX11L
AX21	QX21L
AY10A, AY11A	QY11AL
AY13	QY13L
AY23	QY23L
AY41, AY41P, AY51, AY51-S1	QY51PL

This User's Manual explains specifications, component devices, part names, settings, mounting, and installation of the Q series large type base unit, Q series large type I/O module, and Q series large type blank cover.

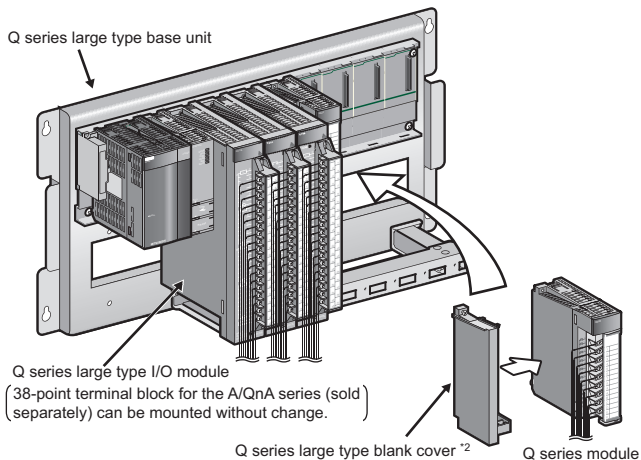
For contents not explained in this manual such as SAFETY PRECAUTIONS, EMC and Low Voltage Directives, and general specifications, refer to QCPU User's Manual (Hardware Design, Maintenance and Inspection) SH-080483ENG.

1.2 Features

This section explains features of the Q series large type base unit, Q series large type I/O module, and Q series large type blank cover.

- (1) The 38-point terminal block used for the A/QnA series can be mounted on the Q series large type I/O module.
This eliminates wiring change when replacing the A/QnA series.
- (2) The Q series large type I/O module has performance specifications equivalent to the A/QnA series.
- (3) Since the A/QnA series base unit has the same mounting dimensions with the Q series large type base unit, the mounting holes can be utilized.

- (4) The Q series large type I/O module and Q series module can be mounted together on the Q series large type base unit. The renewal tool*¹ manufactured by MITSUBISHI ELECTRIC ENGINEERING COMPANY LIMITED (hereafter, abbreviated as renewal tool) can be mounted on the Q series module, and a connector and terminal block used with the A/QnA series can be used without wiring change.



*1 : For information on the renewal tool, contact the nearest Mitsubishi Electric sales office or salesperson.

*2 : To mount Q series module on the I/O slot of Q series large type base unit, always attach Q series large type blank cover.

1.3 Supplied Parts

The following tables show parts supplied with each module.

(1) Q series large type main base unit

Product	Model	Quantity	Remarks
Q series large type main base unit	Q35BL	1	-
	Q38BL		
Fixture	-	1	-
Fixture attachment screw	-	4	M4×10 screws
This manual	-	1	-
Safety Guidelines	IB-0800423	1	-

(2) Q series large type extension base unit

Product	Model	Quantity	Remarks
Q series large type extension base unit	Q65BL	1	-
	Q68BL		
	Q55BL		
Fixture	-	1	-
Fixture attachment screw	-	4	M4×10 screws
This manual	-	1	-

(3) Q series large type I/O module

Product	Model	Quantity	Remarks
Q series large type I/O module	QX11L	1	-
	QX21L		
	QY11AL		
	QY13L		
	QY23L		
	QY51PL		
Dustproof cover for fuse replacement window	-	1	Supplied with the QY23L only.

(4) Q series large type blank cover

Product	Model	Quantity	Remarks
Q series large type blank cover	QG69L	1	-

1.4 Related Parts (Sold Separately)

Purchase the following related parts when necessary.

(1) 38-point terminal block for I/O module

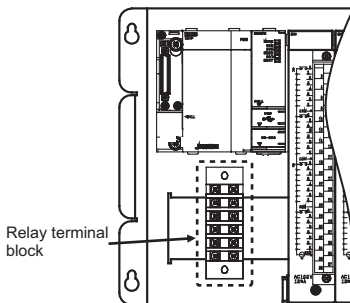
The Q series large type I/O module does not include 38-point terminal block.

To use this product in new system, purchase the following product.

Model	Manufacturer
K14K 08H 075 000 03	Mitsubishi Electric System & Service Co., Ltd.

(2) Relay terminal block for power supply wiring

When the terminal block on power supply module mounted on the Q series large type base unit cannot be wired using wiring to the power supply module used with the A/QnA series, purchase the following terminal block and relay the wiring to the power supply module.



Model	Manufacturer
ML-20 (The number of poles: 6 pieces)	SATO PARTS CO.,LTD

2. SYSTEM CONFIGURATION

2.1 System Configuration

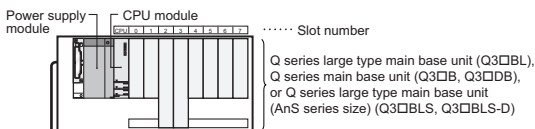
This section explains system configuration when using the Q series large type base unit.

The following modules can be mounted on the CPU slot of the Q series large type base unit.

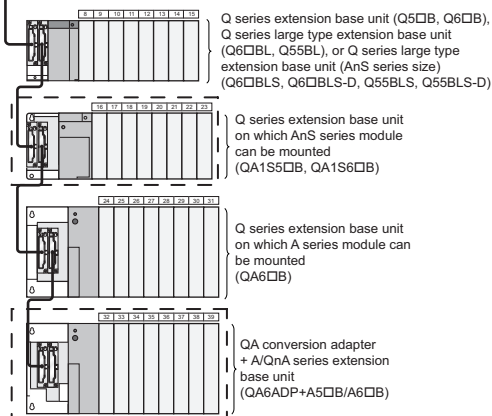
- High Performance model QCPU
- Universal model QCPU (except Q00UJCPU)
- MELSECNET/H remote I/O module

- (1) System configuration using the High Performance model QCPU and Universal model QCPU

■ Main base unit



■ Extension base unit



For a combination of the CPU modules and base units, refer to the "Precautions" section.

The following table shows restrictions on system configuration.

Maximum number of extension stages of extension base units	Q00UCPU, Q01UCPU, Q02UCPU: 4 extension stages Modules other than the above: 7 extension stages	
Maximum number of mountable I/O modules	<ul style="list-style-type: none"> • Q00UCPU, Q01UCPU: 24 modules • Q02UCPU: 36 modules Modules other than the above: 64 modules	
Applicable main base unit model	Q33B, Q35B, Q38B, Q312B, Q35DB, Q38DB, Q312DB, Q35BL, Q38BL, Q35BLS, Q35BLS-D, Q38BLS, Q38BLS-D	
Applicable extension base unit model	Model requiring no power supply module	Q52B, Q55B, Q55BL, Q55BLS, Q55BLS-D, QA6ADP+A5□B
	Model requiring Q series power supply module	Q63B, Q65B, Q68B, Q612B, Q65BL, Q68BL, Q65BLS, Q65BLS-D, Q68BLS, Q68BLS-D
	Model requiring no AnS series power supply module	QA1S51B
	Model requiring AnS series power supply module	QA1S65B, QA1S68B
	Model requiring A series power supply module	QA65B, QA68B, QA6ADP+A6□B
Extension cable model	QC05B, QC06B, QC12B, QC30B, QC50B, QC100B	
Q series power supply module model	Q61P-A1, Q61P-A2, Q61P, Q61P-D, Q62P, Q63P, Q64P, Q64PN	
AnS series power supply module model	A1S61PN, A1S62PN, A1S63P	
A series power supply module model	A61P, A61PN, A62P, A63P, A61PEU, A62PEU	

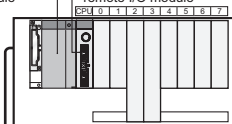
■ Precautions

- Use extension cable so that the overall extension length can be within 13.2m.
- Do not install the extension cable together with the main circuit (high voltage and high current) line or bring them close to each other.
Keep a distance of 100mm or more between them.
- Set the number of extension stages so that the number is not duplicated with another.
- When using extension base units on which AnS/A series modules can be mounted together with the other units, follow the instructions described below.
 - Connect the units in order of Q5□B/Q6□B/Q5□BL/Q6□BL/Q5□BLS(-D)/Q6□BLS(-D) → QA1S5□B/QA1S6□B → QA6□B → QA6ADP+A5□B/A6□B from the nearest position of the main base unit.
 - The QA1S6□B and QA6ADP+A5□B/A6□B cannot be used together.
 - The QA1S51B, which does not have an extension cable connector (OUT), cannot be used with the QA6□B and QA6ADP+A5□B/A6□B.
- Assign module I/O number with putting each series in block so that the order can be "from Q series to A series" or "from A series to Q series". Failure to do so causes an error "SP.UNIT LAY ERR." (error code: 2120). In addition, do not duplicate the I/O number.
- Connect the extension cable from OUT of the extension cable connector on the base unit to IN of the extension base unit on the next stage.
- If the number of mounted modules exceeds the maximum number of mountable I/O modules, an error "SP.UNIT LAY ERR." (error code: 2124) occurs.
- To construct a multiple CPU system, use a main base unit, Q3□B or Q3□DB.
- To use the Universal model QCPU with the extension base units QA1S5□B, QA1S6□B, QA6□B, and QA6ADP+A5□B/A6□B, use the Universal model QCPU whose serial number (first five digits) is "13102" or later.

(2) System configuration using the MELSECNET/H remote I/O module

■ Main base unit

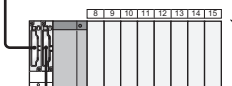
Power supply module
MELSECNET/H remote I/O module



..... Slot number

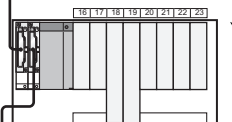
Q series large type main base unit (Q3□BL), Q series main base unit (Q3□B, Q3□DB), or Q series large type main base unit (AnS series size) (Q3□BLS, Q3□BLS-D)

■ Extension base unit



Q series extension base unit

(Q5□B, Q6□B),
Q series large type extension base unit (Q6□BL, Q55BL), or Q series large type extension base unit (AnS series size) (Q6□BLS, Q6□BLS-D, Q55BLS, Q55BLS-D)



Q series large type extension base unit (Q6□BL, Q55BL), Q series extension base unit (Q5□B, Q6□B), or Q series large type extension base unit (AnS series size) (Q6□BLS, Q6□BLS-D, Q55BLS, Q55BLS-D)



Q series extension base unit

(Q5□B, Q6□B),
Q series large type extension base unit (Q6□BL, Q55BL), or Q series large type extension base unit (AnS series size) (Q6□BLS, Q6□BLS-D, Q55BLS, Q55BLS-D)

The following table shows restrictions on system configuration.

Maximum number of extension stages of extension base units	7 extension stages	
Maximum number of mountable I/O modules	64 modules	
Applicable main base unit model	Q33B, Q35B, Q38B, Q312B, Q35BL, Q38BL, Q35BLS, Q35BLS-D, Q38BLS, Q38BLS-D	
Applicable extension base unit model	Model requiring no power supply module	Q52B, Q55B, Q55BL, Q55BLS, Q55BLS-D
	Model requiring Q series power supply module	Q63B, Q65B, Q68B, Q612B, Q65BL, Q68BL, Q65BLS, Q65BLS-D, Q68BLS, Q68BLS-D
Extension cable model	QC05B, QC06B, QC12B, QC30B, QC50B, QC100B	
Q series power supply module model	Q61P-A1, Q61P-A2, Q61P, Q61P-D, Q62P, Q63P, Q64P, Q64PN	

■ Precautions

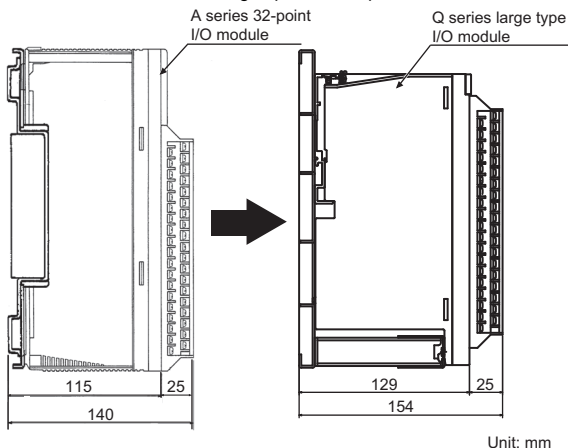
- Use extension cable so that the overall extension length can be within 13.2m.
- Do not install the extension cable together with the main circuit (high voltage and high current) line or bring them close to each other.
Keep a distance of 100mm or more between them.
- Set the number of extension stages so that the number is not duplicated with another.
- Connect the extension cable from OUT of the extension cable connector on the base unit to IN of the extension base unit on the next stage.
- If the number of mounted modules exceeds the maximum number of mountable I/O modules, an error "SP.UNIT LAY ERR." (error code: 2124) occurs.

2.2 Precautions for System Configuration

This section explains precautions for using the products.

- (1) A multiple CPU system cannot be constructed using the Q series large type main base unit.
- (2) To construct a multiple CPU system with the Q series large type extension base unit, use a main base unit, Q3□B or Q3□DB.
For the configuration of a multiple CPU system, refer to QCPU User's Manual (Multiple CPU System).
When read the manual, regard the descriptions for the Q5□B/Q6□B as the ones for the Q5□BL/Q6□BL because the handling of the Q series large type extension base unit is the same as that of the Q5□B/Q6□B.
- (3) To mount the Q series module on Q series large type base unit, always attach the Q series large type blank cover.
(unnecessary for a module mounted on CPU slot and power supply module.)
- (4) To mount the Q series module between Q series large type I/O modules, wire the Q series module beforehand.

- (5) The Q series large type I/O module is larger than A series 32-point I/O module in depth by 14mm. Before replacing the A/QnA series, check if there is enough space for depth.



- (6) Since the A series and Q series differ in rated output current of power supply module (24VDC), when the power supply module is used as external supply power for I/O module with the A series, another external power supply may be required in replacement from the A series.

2.3 Modules that cannot be Mounted on the Q Series Large Type Base Unit

This section explains modules that cannot be mounted on the Q series large type base unit.

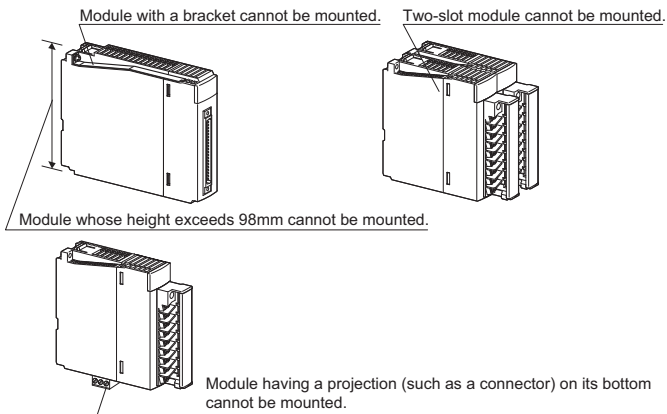
(1) Two-slot module

Example Such as Q64TCRTBW, Q64TCTTBW, Q64TCTTBW, Q64TCTTBWN, QD70D4, QD70D8, QJ71LP21S-25, and QJ71GP21S-SX

(2) Module on which the Q series large type blank cover cannot be attached

- Module whose height exceeds 98mm
- Module with a bracket on its top
- Module having a projection (such as a connector) on its bottom
- Module on which the Q7BAT-SET has been mounted

Example Such as Q66AD-DG, Q66DA-G, Q68AD-G, Q68RD3-G, Q68TD-G-H02, Q64AD2DA, QD75M1, QD75MH1, QD75M2, QD75MH2, QD75M4, QD75MH4, and the QJ71WS96 on which the Q7BAT-SET has been mounted



3. SPECIFICATIONS

3.1 Specifications of the Q Series Large Type Base Unit

The following tables show performance specifications of the Q series large type base unit.

(1) Q series large type main base unit

Item	Model		
	Q35BL	Q38BL	
Number of mountable I/O modules	5	8	
Extendability	Extendable		
Applicable module	Q series module, Q series large type I/O module		
5 VDC internal current consumption	0.11A	0.12A	
External dimensions	H	240mm	
	W	382mm	480mm
	D	110mm	
Weight	1.87kg	2.35kg	
DIN rail installation	Not installable		

(2) Q series large type extension base unit (with power supply)

Item	Model		
	Q65BL	Q68BL	
Number of mountable I/O modules	5	8	
Extendability	Extendable		
Applicable module	Q series module, Q series large type I/O module		
5 VDC internal current consumption	0.11A	0.12A	
External dimensions	H	240mm	
	W	352mm	466mm
	D	110mm	
Weight	1.81kg	2.32kg	
DIN rail installation	Not installable		

(3) Q series large type extension base unit (without power supply)

Item	Model	
	Q55BL	
Number of mountable I/O modules	5	
Extendability	Extendable	
Applicable module	Q series module, Q series large type I/O module	
5 VDC internal current consumption	0.10A	
External dimensions	H	240mm
	W	297mm
	D	110mm
Weight	1.59kg	
DIN rail installation	Not installable	

3.2 Specifications of the Q Series Large Type I/O Module

This section explains performance specifications and precautions for selecting the Q series large type I/O module.

3.2.1 Precautions for selection

- (1) Maximum switching frequency when the module drives Inductive load.
The maximum switching frequency when output module drives L load must be on for 1 second or longer and off for 1 second or longer.

- (2) Precautions for using the contact output module
When using the contact output module, consider the following.

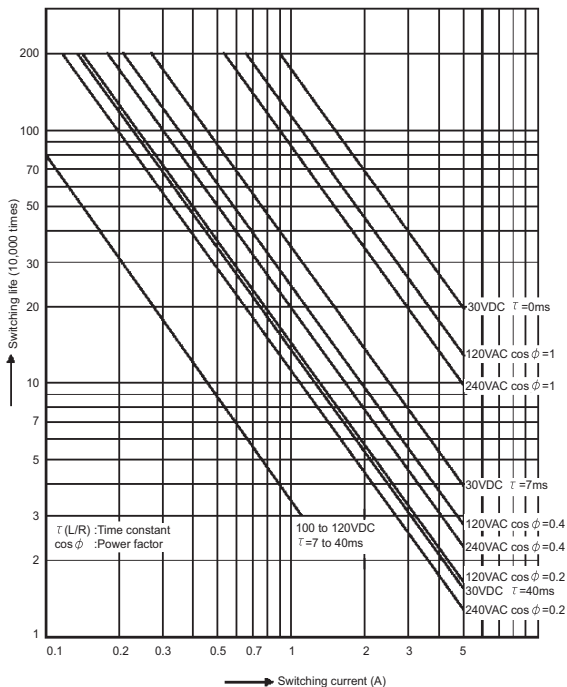
- Relay life (contact switching life)
- Effects to relay life due to connected load
- Measures against back EMF

- (a) Relay life (contact switching life)

Applicable module model: QY11AL, QY13L

The relay life depends on the operating environment. Before using the module, consider the operating environment.

The relay lives shown in the next page are actual service values, not guaranteed values. Therefore, replace the module well in advance as the actual switching life may be shorter than the switching life.



Operating environment	Switching life
Rated switching voltage/current, rated load	100 thousand times
200VAC 1.5A, 240VAC 1A ($\text{COS } \phi = 0.7$)	100 thousand times
200VAC 0.4A, 240VAC 0.3A ($\text{COS } \phi = 0.7$)	300 thousand times
200VAC 1A, 240VAC 0.5A ($\text{COS } \phi = 0.35$)	100 thousand times
200VAC 0.3A, 240VAC 0.15A ($\text{COS } \phi = 0.35$)	300 thousand times
24VDC 1A, 100VDC 0.1A (L/R = 7ms)	100 thousand times
24VDC 0.3A, 100VDC 0.03A (L/R = 7ms)	300 thousand times

When using a module in an application for high switching frequency, the relay life will be short. Therefore, consider using a triac output module.

(b) Effects to relay life due to connected load

The actual relay life may be much shorter than the relay life shown above due to the characteristics of inrush current through the load. ((2)(a) in this section) Also, the inrush current may cause contact welding.

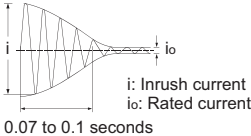
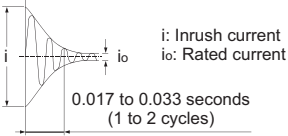
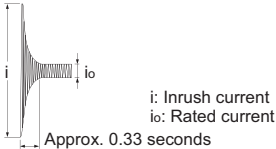
Take the following measures to prevent shortening of the relay life and the contact welding.

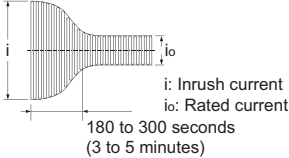
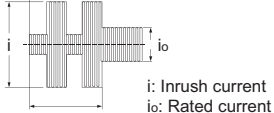
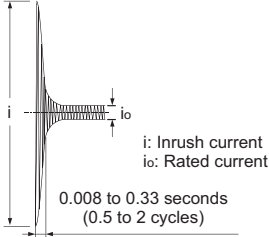
- Select a load so that the inrush current may be within the rated current value of the module in consideration of increase of the inrush current.
- Connect an external relay that can withstand the inrush current.

The relation between the representative load and the inrush current is shown to the next page.

Select a load so that the inrush current (i) and the rated current (i_o) will be within the rated switching current in specifications of the module.

The time that the inrush current flows may be long depending on the load.

Load type	Signal waveform diagram	Inrush current (i)/ rated current (i _o)
Inductive load	<p data-bbox="326 164 510 186">Load of a solenoid</p>  <p data-bbox="484 292 652 339">i: Inrush current i_o: Rated current</p> <p data-bbox="326 350 523 372">0.07 to 0.1 seconds</p>	Approx. 10 to 20 times
	<p data-bbox="326 412 692 433">Load of an electromagnetic contactor</p>  <p data-bbox="531 477 699 524">i: Inrush current i_o: Rated current</p> <p data-bbox="415 562 650 608">0.017 to 0.033 seconds (1 to 2 cycles)</p>	Approx. 3 to 10 times
Lamp load	<p data-bbox="326 656 617 678">Load of an incandescent bulb</p>  <p data-bbox="531 802 694 848">i: Inrush current i_o: Rated current</p> <p data-bbox="391 857 609 879">Approx. 0.33 seconds</p>	Approx. 3 to 10 times

Load type	Signal waveform diagram	Inrush current (i)/ rated current (i _o)
Lamp load	<p>Load of a mercury lamp</p>  <p>i: Inrush current i_o: Rated current 180 to 300 seconds (3 to 5 minutes)</p>	Approx. 3 times* ¹
	<p>Load of a fluorescent</p>  <p>i: Inrush current i_o: Rated current Within 10 seconds</p>	Approx. 5 to 10 times
Capacitive load	<p>Capacitive load*²</p>  <p>i: Inrush current i_o: Rated current 0.008 to 0.33 seconds (0.5 to 2 cycles)</p>	Approx. 20 to 40 times

*1: Typical electric-discharge lamp circuit includes discharge tubes, transformers, choke coils, and capacitors. Therefore, note that the inrush current may flow 20 to 40 times as large as the rated current in the case of high power factor and low power impedance.

*2: When the wiring of the circuit is long, take care of the wire capacity.

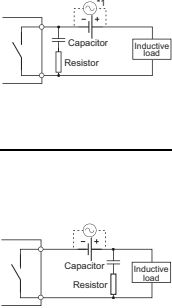
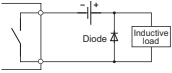
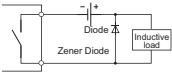
(c) Measures against back EMF

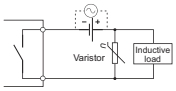
Configure a contact protection circuit for extending the contact life, preventing noise when the contact is cut off, and suppressing the generation of carbide and nitric acid due to arc discharge.

An Incorrect contact protection circuit may cause contact welding.

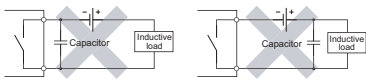
Also, when using the contact protection circuit, the recovery time may be long.

The representative examples of the contact protection circuit are shown below.

Circuit example	Method for selecting elements	Remarks
<p>Capacitor + Resistor method (CR method)</p> 	<p>Refer to the following for constants of the capacitor and resistor. Note that the following values may differ depending on a nature of the load and a variation of characteristics.</p> <ul style="list-style-type: none"> • Capacitor : 0.5 to 1 (μF) against contact current of 1A • Resistor : 0.5 to 1 (Ω) against contact voltage of 1V <p>Use a capacitor whose withstanding voltage is 200 to 300V. In AC circuit, use a capacitor having no polarity.</p>	<p>If a load is from a relay or solenoid, the recovery time delays.</p> <p>A capacitor suppresses electric discharge while a contact is off, and a resistor restricts a flow of current while a contact is on.</p>
<p>Diode method</p> 	<p>Use a diode whose reverse breakdown voltage is 10 times as large as the circuit voltage or more and whose forward current is equal to or more than the load current.</p>	<p>The recovery time is later than the CR method.</p>
<p>Diode + Zener diode method</p> 	<p>Use zener voltage for the zener diode equal to or more than the power supply voltage.</p>	<p>The diode method is effective when the recovery time is too late.</p>

Circuit example	Method for selecting elements	Remarks
<p>Varistor method</p> 	<p>Select a cut voltage (V_c) for the varistor to meet the following condition. Multiply the value by root two for use of AC power.</p> <p>$V_c > \text{Power supply voltage} \times 1.5 \text{ (V)}$</p> <p>Note that when selecting an element whose V_c is too high, its effect will weaken.</p>	<p>The recovery time delays slightly.</p>

*1: When using AC power, impedance of CR must be larger enough than it of the load. (prevention of a malfunction due to leak current from the CR)

Point
<p>(1) Avoid providing a contact protection circuits shown below. These circuit are effective for preventing an arc at shut-off. However, the contact welding may occur because the charge current flows to capacitor when the contact turns on or off. A DC inductive load is usually harder for switching than a resistor load, but if a proper protection circuit is configured, the performance will be similar to the resistor load.</p>  <p>(2) A protection circuit must be provided closely to a load or contact (module). If their distance is far, the protection circuit may not be effective. Appropriate distance is within 50 cm.</p>

- (3) Precautions when using the triac output module
Because of characteristics of a triac, a sudden change of voltage or current may cause unstable operations of a triac used for the triac output module.

Whether the voltage or current change causes a problem differs depending on an individual part (each triac), thus check the following when using the triac output module.

- (a) Checking of the load current

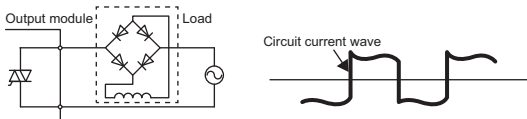
When the current consumption is equal to or smaller than the minimum load current and the margin is low by using an inductive load such as a solenoid valve, a triac may not turn on or off properly. In that case, an action such as connecting a bleeder resistance is required.

For detail on actions, refer to the following.

☞ Section 7.2 Output Circuit Troubleshooting

- (b) Precautions on a full-wave rectifier load

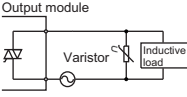
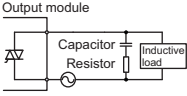
The load current of a full-wave rectifier load forms waves similar to rectangular waves as shown below.



A triac may not operate properly if the current forms rectangular waves associated with sudden current changes. To avoid it, use a load with which the load current does not form rectangular waves.

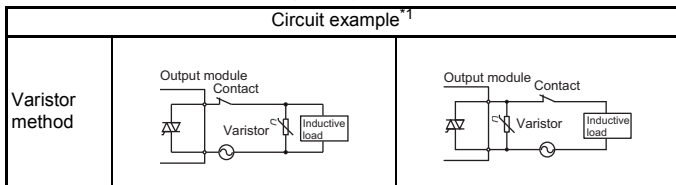
(c) Measures for connecting an inductive load

To connect an inductive load, take measures to reduce noise to the side where the load is connected as shown below.

	Circuit example	Element selection criteria	Remarks
<p>Varistor method</p>		<p>Select a varistor whose cut-off voltage (V_c) satisfies the following condition:</p> <ul style="list-style-type: none"> • $V_c > \text{Power supply voltage} \times 1.5 (V) \times \sqrt{2}$ <p>Note that selecting an element of a too high V_c leads to a weaker effect.</p>	<p>The recovery time is a little delayed.</p>
<p>Capacitor + resistance method (CR method)</p>		<p>Estimate the constants of a capacitor and resistance with the following as a guide. Some differences, however, may arise from a variation in the nature and characteristics of the load.</p> <ul style="list-style-type: none"> • Capacitor: 0.5 to 1 (μF) for a load current of 1A • Resistance: 0.5 to 1 (Ω) for a power supply voltage of 1V <p>Use a capacitor whose withstand voltage is equal to or higher than the rated voltage. Use a capacitor with no polarity</p>	<p>When a relay or solenoid is used as the load, the recovery time is delayed.</p>

In addition, to install a contact (such as an interlock) between the load and the output terminal, take measures to reduce noise as shown below.

Though measures (varistor method, capacitor + resistance method) are normally taken to the load side as shown on the figure (left side), in some cases, it is more efficient to take the measures to the module side considering the contact effect as shown on the figure (right side).



*1 For the element selection criteria and the effect to a recovery time, refer to the table on the previous page.

- (4) Operating altitude
Do not use I/O modules under environment where atmospheric pressure equal to or higher than 0m altitude is pressurized. Doing so may cause a malfunction.
When using them under such environment, please consult your sales representative.

- (5) Output module with fuse
For wiring and short-circuit current of output module with fuse, satisfy the following values.
If not satisfied, the fuse cannot protect the module. Then, connect protection fuse outside.

Item	When a load is 100/200VAC
Wiring length	3m or more
Wire size	2mm ² or less
Transformer capacity	2KVA or less

However, a fuse connected to output module cannot protect against overload.

As measures against overload, connect a fuse per point outside.

- (6) Precautions for connecting to the uninterruptible power supply (UPS)
Use line-interactive UPS whose power distortion is 5% or less.
Do not use an UPS of online commercial feeding system.
- (7) Precautions for using the QX11L, QX21L
- (a) When setting PLC parameter with GX Developer (SW □D5C-GPPW-E), make sure of the following points.
- Always set the I/O assignment type "Input".
 - Do not change the response time (default: 10ms)
- (b) When the QX21L and the power supply module (wide voltage range from 100 to 240VAC) use the same external power supply, use the input voltage within the range of 200 to 240VAC.
If a voltage goes below 200VAC(-15%), the input may turn off while the CPU module continues its operation.

(8) Protection functions

The following table describes the overload protection function and the overheat protection function of the QY51PL.

Function	Description
Overload protection function ^{*1}	<ul style="list-style-type: none">• If the output module detects overcurrent, it limits output current by the current limiter operation.^{*2}• For the overcurrent detection value and the limited current, refer to "Overload protection function" on specifications of module.• When the load current become lower than the overcurrent detection value, the module returns to normal operation.
Overheat protection function ^{*1}	<ul style="list-style-type: none">• If overcurrent keeps flowing due to overload, heat is generated inside the module. When high heat is detected inside the module, the output is turned off.• For the number of output points where the overheat protection function can be simultaneously activated, refer to "Overheat protection function" in the specifications table of each module.• After heat goes down, the module returns to normal operation.

*1: This function is for protecting the internal circuit of the module, not for protecting external devices.

Also, leaving the failure too long may rise the internal temperature of the module, resulting in deterioration of output elements and/or discoloration of a case and printed circuit board. When the failure occurs, turn off the corresponding outputs immediately to remove the causes.

*2: This operation limits overcurrent to a constant value and keeps outputting it.

(9) Operating ambient temperature

Use the product within the range of 0 to 55°C.

(9) *Température ambiante de fonctionnement*

Utiliser ce produit sur une gamme de température entre 0 et 55 °C.

(10) Wiring a terminal block

The table below shows applicable solderless terminals connected to the terminal block. When wiring, use applicable wires and an appropriate tightening torque.

Use UL listed solderless terminals and, for processing, use a tool recommended by their manufacturer.

Solderless terminal		Wire			
Model	Tightening torque	Diameter	Type	Material	Temperature rating
Refer to Section 3.2.2.			Stranded	Copper	75°C or more

(10) Câblage d'une plaque à bornes

Le tableau ci-dessous indique quelles bornes sans soudure on doit utiliser pour les raccordements sur la plaque à bornes. Pour le câblage, utiliser les fils et couples de serrage prescrits.

Utiliser les bornes sans soudure répertoriées par UL et, pour le montage, utiliser l'outil recommandé par le fabricant de ces bornes.

<i>Borne sans soudure</i>		<i>Fil</i>			
<i>Modèle</i>	<i>Couple de serrage</i>	<i>Diamètre</i>	<i>Type</i>	<i>Matériau</i>	<i>Gamme de température</i>
<i>Se reporter à la section 3.2.2.</i>			<i>Torsadé</i>	<i>Cuivre</i>	<i>75 °C ou plus</i>

3.2.2 Specifications of the Q series large type I/O module

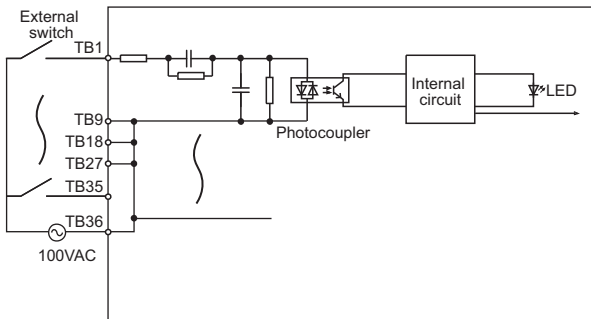
The following table shows performance specifications of the Q series large type I/O module.

(1) QX11L AC input module

Item		Model
		QX11L
Number of input points		32 points
Insulation method		Photocoupler
Rated input voltage, frequency		100 to 120VAC (+10/-15%), 50/60Hz (± 3 Hz)
Input voltage distortion		Within 5%
Rated input current		10mA (100VAC, 60Hz)
Maximum number of simultaneous input points		60% (20 points) simultaneously on
Inrush current		Maximum 300mA, Within 0.3ms (at 132VAC)
On voltage/On current		80VAC or more/6mA or more
Off voltage/Off current		30VAC or less/2mA or less
Input impedance		Approx.10k Ω (60Hz), Approx.12k Ω (50Hz)
Response time	Off to On	15ms or less
	On to Off	25ms or less
Dielectric withstand voltage		1780VAC rms/3 cycles (altitude 2000m)
Common terminal arrangement		32 points/common (common terminal: TB9, TB18, TB27, TB36)
Operation indication		On indication (LED)
External wiring system <i>Système de câblage externe</i>		38-point terminal block connector (M3×6 screws) <i>Connecteur de bornier 38-points (M3×6 vis)</i>
Applicable wire size <i>Taille du fil à utiliser</i>		0.75 to 2mm ² (Applicable tightening torque 0.68N•m) 0,75 à 2 mm ² (<i>Couple de serrage à appliquer 0,68N•m</i>)
Applicable solderless terminal <i>Borne sans soudure à utiliser</i>		R1.25-3, R2-3, RAV1.25-3, RAV2-3 R1,25-3, R2-3, RAV1,25-3, RAV2-3
5VDC internal current consumption		75mA (TYP. all points On) (0.08A is shown on the rating plate of the module.)
External dimensions		220 (H) × 37.5 (W) × 116.5 (D) mm
Weight		0.33kg

Pin number	Signal name	Pin number	Signal name	Pin number	Signal name	Pin number	Signal name
TB1	X00	TB11	X09	TB21	X12	TB31	X1B
TB2	X01	TB12	X0A	TB22	X13	TB32	X1C
TB3	X02	TB13	X0B	TB23	X14	TB33	X1D
TB4	X03	TB14	X0C	TB24	X15	TB34	X1E
TB5	X04	TB15	X0D	TB25	X16	TB35	X1F
TB6	X05	TB16	X0E	TB26	X17	TB36	COM
TB7	X06	TB17	X0F	TB27	COM	TB37	Empty
TB8	X07	TB18	COM	TB28	X18	TB38	Empty
TB9	COM	TB19	X10	TB29	X19	-	-
TB10	X08	TB20	X11	TB30	X1A	-	-

External connection



English	French	English	French
100VAC	100V ca	Empty	Inutilisé
External connection	Connexion externe	External switch	Commutateur externe
Internal circuit	Circuit interne	Photocopier	Photocoupleur
Pin number	Broche N°	Signal name	Nom de signal

(2) QX21L AC input module

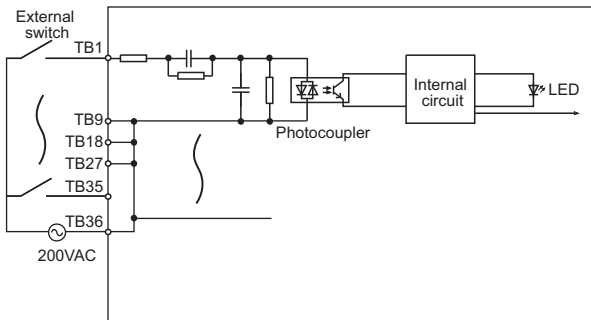
Item		Model
		QX21L
Number of input points		32 points
Insulation method		Photocoupler
Rated input voltage, frequency		200 to 240VAC (+10/-15%), 50/60Hz (± 3 Hz)
Input voltage distortion		Within 5%
Rated input current		10mA (220VAC, 60Hz)
Maximum number of simultaneous input points		60%(20 points) simultaneously on (at 264VAC,55°C) 100%(32 points) simultaneously on (at 264VAC,45°C)
Inrush current		Maximum 600mA, Within 0.12ms (at 264VAC)
On voltage ^{*1} /On current		160VAC or more/5.5mA or more
Off voltage ^{*1} /Off current		70VAC or less/3.5mA or less
Input impedance		Approx.22k Ω (60Hz), Approx.27k Ω (50Hz)
Response time	Off to On	15ms or less
	On to Off	25ms or less
Dielectric withstand voltage		1500VAC for 1 minute
Common terminal arrangement		32 points/common (common terminal: TB9, TB18, TB27, TB36)
Operation indication		On indication (LED)
External wiring system <i>Système de câblage externe</i>		38-point terminal block connector (M3×6 screws) <i>Connecteur de bornier 38-points (M3×6 vis)</i>
Applicable wire size <i>Taille du fil à utiliser</i>		0.75 to 2mm ² (Applicable tightening torque 0.68N·m) <i>0,75 à 2 mm² (Couple de serrage à appliquer 0,68N·m)</i>
Applicable solderless terminal <i>Borne sans soudure à utiliser</i>		R1.25-3, R2-3, RAV1.25-3, RAV2-3 <i>R1,25-3, R2-3, RAV1,25-3, RAV2-3</i>
5VDC internal current consumption		75mA (TYP. all points On) (0.08A is shown on the rating plate of the module.)
External dimensions		220 (H) × 37.5 (W) × 116.5 (D) mm
Weight		0.33kg

*1 : When the QX21L and the power supply module (wide voltage range from 100 to 240VAC) use the same external power supply, use the input voltage within the range of 200 to 240VAC.

If a voltage goes below 200VAC(-15%), the input may turn off while the CPU module continues its operation.

Pin number	Signal name	Pin number	Signal name	Pin number	Signal name	Pin number	Signal name
TB1	X00	TB11	X09	TB21	X12	TB31	X1B
TB2	X01	TB12	X0A	TB22	X13	TB32	X1C
TB3	X02	TB13	X0B	TB23	X14	TB33	X1D
TB4	X03	TB14	X0C	TB24	X15	TB34	X1E
TB5	X04	TB15	X0D	TB25	X16	TB35	X1F
TB6	X05	TB16	X0E	TB26	X17	TB36	COM
TB7	X06	TB17	X0F	TB27	COM	TB37	Empty
TB8	X07	TB18	COM	TB28	X18	TB38	Empty
TB9	COM	TB19	X10	TB29	X19	-	-
TB10	X08	TB20	X11	TB30	X1A	-	-

External connection



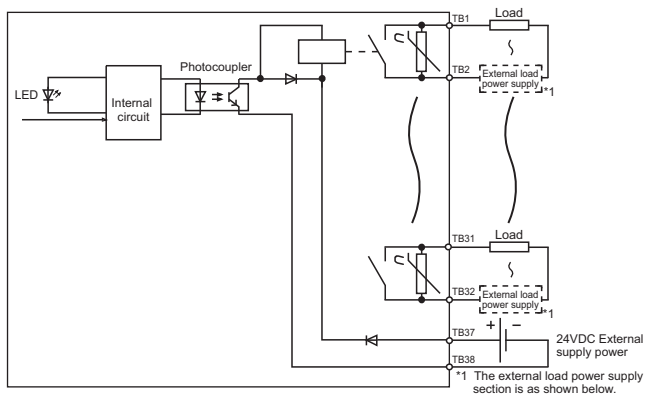
English	French	English	French
200VAC	200V ca	Empty	Inutilisé
External connection	Connexion externe	External switch	Commutateur externe
Internal circuit	Circuit interne	Photocopler	Photocoupleur
Pin number	Broche N°	Signal name	Nom de signal

(3) QY11AL contact output module

Item		Model
		QY11AL
Number of output points		16 points
Insulation method		Photocoupler
Rated switching voltage/current		24VDC 2A(Resistance load) /point, 16A/all points 240VAC 2A(COS ϕ = 1)
Minimum switching load		5VDC 1mA
Maximum switching voltage		264VAC 125VDC
Leakage current at Off		0.1mA(at 200VAC 60Hz)
Response time	Off to On	10ms or less
	On to Off	12ms or less
Life	Mechanical	20 million times or more
	Electrical	Rated switching voltage/current load 200,000 times or more 200VAC 1.5A, 240VAC 1A (COS ϕ = 0.7) 200,000 times or more
		200VAC 0.75A, 240VAC 0.5A (COS ϕ = 0.35) 200,000 times or more
		24VDC 1A, 100VDC 0.1A (L/R = 7ms) 200,000 times or more
Maximum switching frequency		3600 times/hour
Surge suppressor		varistor(387 to 473V)
Dielectric withstand voltage		1500VAC for 1 minute
Relay socket		None
Common terminal arrangement		All points independent
Operation indication		On indication (LED)
External supply power	Voltage	24VDC \pm 10% Ripple voltage 4Vp-p or less
	Current	150mA (TYP. 24VDC all points On)
External wiring system <i>Système de câblage externe</i>		38-point terminal block connector (M3 \times 6 screws) <i>Connecteur de bornier 38-points (M3\times6 vis)</i>
Applicable wire size <i>Taille du fil à utiliser</i>		0.75 to 2mm ² (Applicable tightening torque 0.68N \cdot m) <i>0,75 à 2 mm² (Couple de serrage à appliquer 0,68N\cdotm)</i>
Applicable solderless terminal <i>Borne sans soudure à utiliser</i>		R1.25-3, R2-3, RAV1.25-3, RAV2-3 <i>R1,25-3, R2-3, RAV1,25-3, RAV2-3</i>
5VDC internal current consumption		130mA (TYP. all points On)
External dimensions		220 (H) \times 37.5 (W) \times 116.5 (D) mm
Weight		0.38kg

Pin number	Signal name	Pin number	Signal name	Pin number	Signal name	Pin number	Signal name
TB1	Y00	TB11	Y05	TB21	Y0A	TB31	Y0F
TB2		TB12		TB22		TB32	
TB3	Y01	TB13	Y06	TB23	Y0B	TB33	Empty
TB4		TB14		TB24		TB34	Empty
TB5	Y02	TB15	Y07	TB25	Y0C	TB35	Empty
TB6		TB16		TB26		TB36	Empty
TB7	Y03	TB17	Y08	TB27	Y0D	TB37	24VDC
TB8		TB18		TB28		TB38	0V
TB9	Y04	TB19	Y09	TB29	Y0E	-	-
TB10		TB20		TB30		-	-

External connection



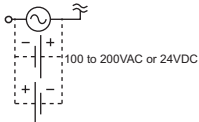
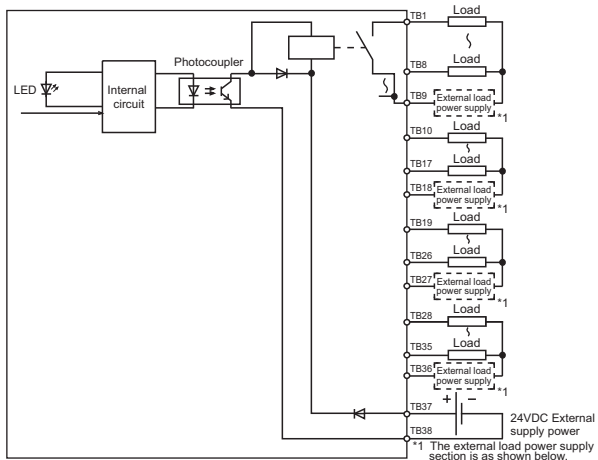
English	French	English	French
100 to 200 VAC or 24VDC	<i>100 à 200 V ca ou 24V cc</i>	24VDC	<i>24V cc</i>
24VDC External supply power	<i>Alimentation externe 24V cc</i>	Empty	<i>Inutilisé</i>
External connection	<i>Connexion externe</i>	Internal circuit	<i>Circuit interne</i>
External load power supply	<i>Alimentation charge externe</i>	Load	<i>Charge</i>
The external load power supply section is as shown below.	<i>La section alimentation de la charge externe est comme représenté ci-dessous.</i>	Photocoupler	<i>Photocoupleur</i>
Signal name	<i>Nom de signal</i>	Pin number	<i>Broche N°</i>

(4) QY13L contact output module

Item		Model
		QY13L
Number of output points		32 points
Insulation method		Photocoupler
Rated switching voltage/ current		24VDC 2A(Resistance load) /point, 5A/common 240VAC 2A(COS ϕ =1)
Minimum switching load		5VDC 1mA
Maximum switching voltage		264VAC 125VDC
Response time	Off to On	10ms or less
	On to Off	12ms or less
Life	Mechanical	20 million times or more
	Electrical	Rated switching voltage/current load 200,000 times or more
		200VAC 1.5A, 240VAC 1A (COS ϕ = 0.7) 200,000 times or more
		200VAC 0.75A, 240VAC 0.5A (COS ϕ = 0.35) 200,000 times or more
	24VDC 1A, 100VDC 0.1A (L/R = 7ms) 200,000 times or more	
Maximum switching frequency		3600 times/hour
Surge suppressor		None
Dielectric withstand voltage		1500VAC for 1 minute
Relay socket		None
Common terminal arrangement		8 points/common (common terminal: TB9, TB18, TB27, TB36)
Operation indication		On indication (LED)
External supply power	Voltage	24VDC \pm 10% Ripple voltage 4Vp-p or less
	Current	290mA (TYP. 24VDC all points On)
External wiring system <i>Système de câblage externe</i>		38-point terminal block connector (M3 \times 6 screws) <i>Connecteur de bornier 38-points (M3\times6 vis)</i>
Applicable wire size <i>Taille du fil à utiliser</i>		0.75 to 2mm ² (Applicable tightening torque 0.68N \cdot m) <i>0,75 à 2 mm² (Couple de serrage à appliquer 0,68N\cdotm)</i>
Applicable solderless terminal <i>Borne sans soudure à utiliser</i>		R1.25-3, R2-3, RAV1.25-3, RAV2-3 <i>R1,25-3, R2-3, RAV1,25-3, RAV2-3</i>
5VDC internal current consumption		230mA (TYP. all points On)
External dimensions		220 (H) \times 37.5 (W) \times 116.5 (D) mm
Weight		0.45kg

Pin number	Signal name	Pin number	Signal name	Pin number	Signal name	Pin number	Signal name
TB1	Y00	TB11	Y09	TB21	Y12	TB31	Y1B
TB2	Y01	TB12	Y0A	TB22	Y13	TB32	Y1C
TB3	Y02	TB13	Y0B	TB23	Y14	TB33	Y1D
TB4	Y03	TB14	Y0C	TB24	Y15	TB34	Y1E
TB5	Y04	TB15	Y0D	TB25	Y16	TB35	Y1F
TB6	Y05	TB16	Y0E	TB26	Y17	TB36	COM 4
TB7	Y06	TB17	Y0F	TB27	COM 3	TB37	24VDC
TB8	Y07	TB18	COM 2	TB28	Y18	TB38	0V
TB9	COM 1	TB19	Y10	TB29	Y19	-	-
TB10	Y08	TB20	Y11	TB30	Y1A	-	-

External connection



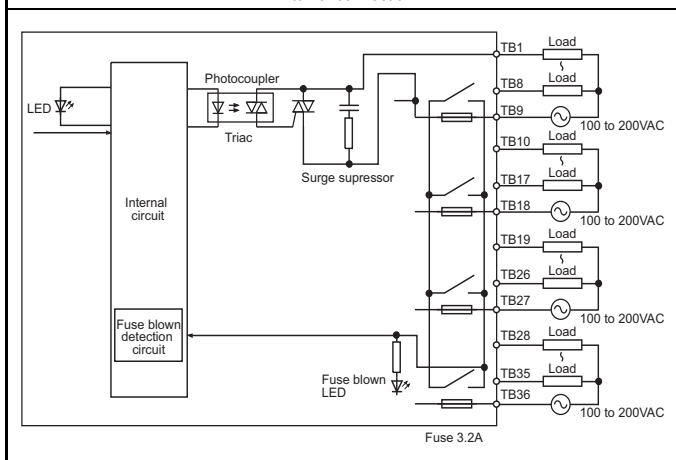
English	French	English	French
100 to 200 VAC or 24VDC	<i>100 à 200 V ca ou 24V cc</i>	24VDC	<i>24V cc</i>
24VDC External supply power	<i>Alimentation externe 24V cc</i>	Internal circuit	<i>Circuit interne</i>
External connection	<i>Connexion externe</i>	Load	<i>Charge</i>
External load power supply	<i>Alimentation charge externe</i>	Photocoupler	<i>Photocoupleur</i>
The external load power supply section is as shown below.	<i>La section alimentation de la charge externe est comme représenté ci-dessous.</i>	Pin number	<i>Broche N°</i>
Signal name	<i>Nom de signal</i>		

(5) QY23L Triac output module

Item		Model
		QY23L
Number of output points		32 points
Insulation method		Photocoupler
Rated load voltage		100 to 240VAC (+10/-15%)
Maximum load voltage		264VAC
Maximum load current		0.6A/point, 2.4A/common
Minimum load voltage/current		24VAC 100mA, 100VAC 10mA, 240VAC 10mA
Maximum inrush current		20A 10ms or less, 8A 100ms or less
Leakage current at Off		1.5mA (for 120VAC, 60Hz), 3mA (for 240VAC, 60Hz)
Maximum voltage drop at On		1.5VAC or less (100 to 600mA), 1.8VAC or less (50 to 100mA), 2VAC or less (10 to 50mA)
Response time	Off to On	1ms or less
	On to Off	1ms + 0.5 cycles or less
Surge suppressor		CR absorber (0.022 μ F + 47 Ω)
Fuse rating		3.2A fast blow fuse (1 fuse/common) type HP-32
Fuse blown indication		Available (LED turns on by fuse blown, and a signal is output to CPU module.)
Dielectric withstand voltage		1500VAC for 1 minute
Common terminal arrangement		8 points/common (common terminal: TB9, TB18, TB27, TB36)
Operation indication		On indication (LED)
External wiring system <i>Système de câblage externe</i>		38-point terminal block connector (M3 \times 6 screws) <i>Connecteur de bornier 38-points (M3\times6 vis)</i>
Applicable wire size <i>Taille du fil à utiliser</i>		0.75 to 2mm ² (Applicable tightening torque 0.68N \cdot m) <i>0,75 à 2 mm² (Couple de serrage à appliquer 0,68N\cdotm)</i>
Applicable solderless terminal <i>Borne sans soudure à utiliser</i>		R1,25-3, R2-3, RAV1,25-3, RAV2-3 <i>R1,25-3, R2-3, RAV1,25-3, RAV2-3</i>
5VDC internal current consumption		590mA (TYP. all points On)
External dimensions		220 (H) \times 37.5 (W) \times 116.5 (D) mm
Weight		0.45kg


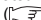
Pin number	Signal name	Pin number	Signal name	Pin number	Signal name	Pin number	Signal name
TB1	Y00	TB11	Y09	TB21	Y12	TB31	Y1B
TB2	Y01	TB12	Y0A	TB22	Y13	TB32	Y1C
TB3	Y02	TB13	Y0B	TB23	Y14	TB33	Y1D
TB4	Y03	TB14	Y0C	TB24	Y15	TB34	Y1E
TB5	Y04	TB15	Y0D	TB25	Y16	TB35	Y1F
TB6	Y05	TB16	Y0E	TB26	Y17	TB36	COM 4
TB7	Y06	TB17	Y0F	TB27	COM 3	TB37	Empty
TB8	Y07	TB18	COM 2	TB28	Y18	TB38	Empty
TB9	COM 1	TB19	Y10	TB29	Y19	-	-
TB10	Y08	TB20	Y11	TB30	Y1A	-	-

External connection



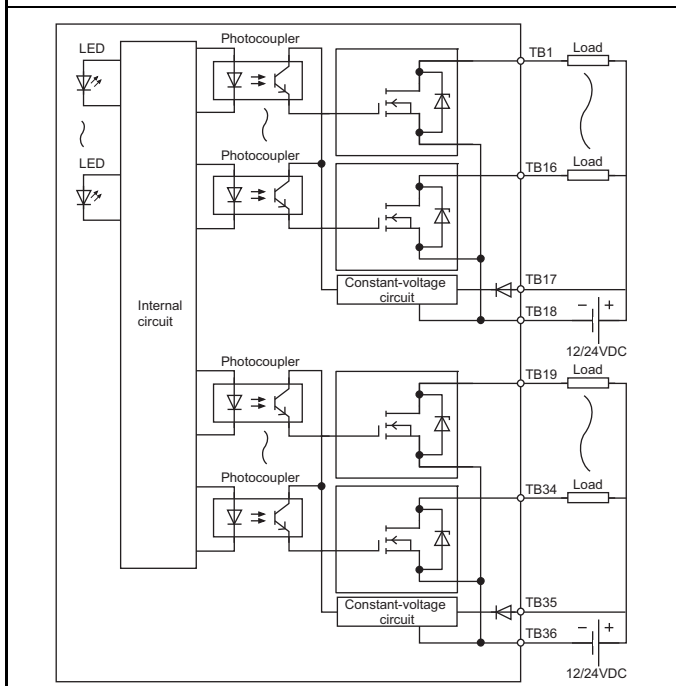
English	French	English	French
100 to 200 VAC	de 100 à 200 V ca	Empty	Inutilisé
External connection	Connexion externe	Internal circuit	Circuit interne
Fuse blown detection circuit	Circuit de détection de fusible grillé	Fuse 3.2A	Fusible 3,2A
Fuse blown LED	LED fusible grillé	Load	Charge
Surge suppressor	Limiteur de surtension	Photocopler	Photocoupleur
Pin number	Broche N°	Signal name	Nom de signal
Triac	Triac		

(6) QY51PL transistor output module (Sink type)

Item		Model
		QY51PL
Number of output points		32 points
Insulation method		Photocoupler
Rated load voltage		12 to 24VDC (+20/-15%)
Maximum load voltage		0.5A/point, 4A/common
Maximum inrush current		Current is limited by the overload protection function.
Leakage current at Off		0.1mA or less
Maximum voltage drop at On		0.2VDC (TYP.) 0.5A, 0.3VDC (MAX.) 0.5A
Response time	Off to On	0.5ms or less
	On to Off	1ms or less (rated load, resistance load)
Surge suppressor		Zener diode
Fuse		None
External supply power	Voltage	12 to 24VDC (+20/-15%) (ripple ratio within 5%)
	Current	8mA/common (24VDC all points On)
Dielectric withstand voltage		560VAC rms/3 cycles (altitude 2000m)
Insulation resistance		10M Ω or more by insulation resistance tester
Common terminal arrangement		16 points/common
Number of occupied I/O points		32 points (I/O allocation: output 32 points)
Protection function	Overload protection function	Limited current when detecting overcurrent (overload protection) : 1.5 to 3.5A/point Activated in increments of 1 point. ( Section 3.2.1 (8))
	Overheat protection function	Activated in increments of 1 point. ( Section 3.2.1 (8))
Operation indication		On indication (LED)
External wiring system <i>Système de câblage externe</i>		38-point terminal block connector (M3×6 screws) <i>Connecteur de bornier 38-points (M3×6 vis)</i>
Applicable wire size <i>Taille du fil à utiliser</i>		0.75 to 2mm ² (Applicable tightening torque 0.68N·m) <i>0,75 à 2 mm² (Couple de serrage à appliquer 0,68N·m)</i>
Applicable solderless terminal <i>Borne sans soudure à utiliser</i>		R1.25-3, R2-3, RAV1.25-3, RAV2-3 <i>R1,25-3, R2-3, RAV1,25-3, RAV2-3</i>
5VDC internal current consumption		100mA (TYP. all points On)
External dimensions		220 (H) × 37.5 (W) × 116.5 (D) mm
Weight		0.28kg

Pin number	Signal name	Pin number	Signal name	Pin number	Signal name	Pin number	Signal name
TB1	Y00	TB11	Y0A	TB21	Y12	TB31	Y1C
TB2	Y01	TB12	Y0B	TB22	Y13	TB32	Y1D
TB3	Y02	TB13	Y0C	TB23	Y14	TB33	Y1E
TB4	Y03	TB14	Y0D	TB24	Y15	TB34	Y1F
TB5	Y04	TB15	Y0E	TB25	Y16	TB35	12/24VDC
TB6	Y05	TB16	Y0F	TB26	Y17	TB36	0V
TB7	Y06	TB17	12/24VDC	TB27	Y18	TB37	Empty
TB8	Y07	TB18	0V	TB28	Y19	TB38	Empty
TB9	Y08	TB19	Y10	TB29	Y1A	-	-
TB10	Y09	TB20	Y11	TB30	Y1B	-	-

External connection



English	French	English	French
12/24 VDC	12/24 V cc	Empty	Inutilisé
Constant-voltage circuit	Circuit à tension constante	External connection	Connexion externe
Internal circuit	Circuit interne	Load	Charge
Photocoupler	Photocoupleur	Pin number	Broche N°
Signal name	Nom de signal		

3.3 Specifications of the Q Series Large Type Blank Cover

The following table shows performance specifications of the Q series large type blank cover.

Item	Model
	QG69L
External dimensions	108 (H) × 37.5 (W) × 54 (D) mm
Weight	0.03kg

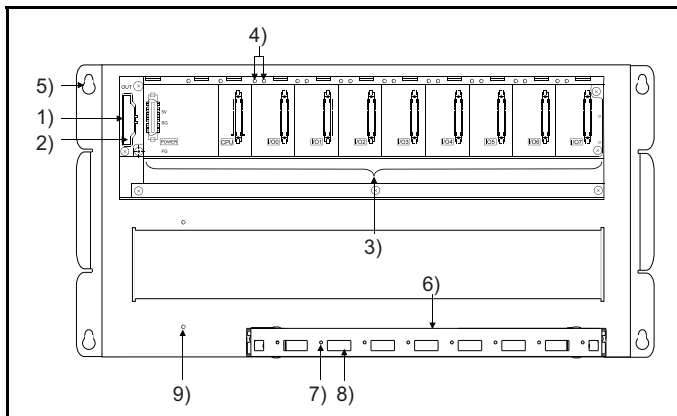
4. PARTS NAMES

4.1 Parts Names

This section explains the part names of the Q series large type base unit, Q series large type I/O module, and Q series large type blank cover.

(1) Part names of the Q series large type base unit

The following explains part names of the Q series large type base unit.

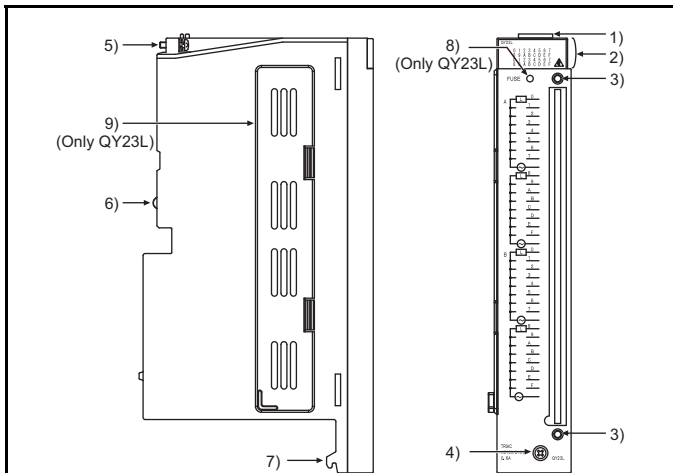


Number	Name	Description
1)	Extension cable connector	Connector for connecting an extension cable (for signal communications with the extension base unit)
2)	Cover	Protective cover of extension cable connector
3)	Module connector	Connector for mounting power supply module, CPU module, Q series large type I/O module, MELSEC-Q series module
4)	Module fixing screw hole	Screw hole for fixing a module to the Q series large type base unit Screw size: M3×12 screws
5)	Base mounting hole	Hole for installing the Q series large type base unit on a panel such as control panel (The dimensions are the same as the MELSEC-A series base unit.)
6)	Fixture	Required for mounting the Q series large type I/O module.

Number	Name	Description
7)	Module bottom fixing screw hole	Screw hole for fixing the bottom of the Q series large type I/O module to a fixture Screw size: M3×15 screws
8)	Module fixing hole	Hole for inserting a fixing projection on the back of the Q series large type I/O module to fix the module
9)	Relay terminal block mounting screw hole	Screw hole for fixing a relay terminal block Screw size: M4 screw

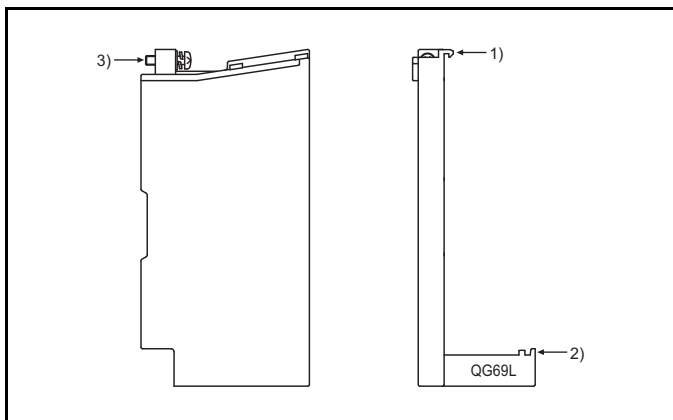
(2) Part names of the Q series large type I/O module

The following explains part names of the Q series large type I/O module.



Number	Name	Description
1)	Module fixing hook	Hook for fixing a module to the Q series large type base unit (one-touch installation)
2)	I/O indicator LED	LED for indicating the on/off status of input and output Turns on when input and output are on.
3)	Terminal block mounting screw hole	Screw hole for fixing a terminal block to a module
4)	Module bottom fixing screw	Screw for fixing the bottom of the input module or output module (M3×15 screws)
5)	Module fixing screw	Screw for fixing a module to the Q series large type base unit (M3×12 screws)
6)	Bracket	Do not touch as this may be deformed.
7)	Module fixing projection	Projection for fixing a module to the fixture of the Q series large type base unit
8)	Fuse blown indicator LED	LED for indicating fuse blown status Turns on when a fuse has blown.
9)	Dustproof cover for fuse replacement window	Dustproof cover for attachment to fuse replacement window

- (3) Part names of the Q series large type blank cover
 The following explains part names the Q series large type blank cover.



Number	Name	Description
1)	Top fixing hook	Hook for fixing the Q series large type blank cover to the Q series module top
2)	Bottom fixing hook	Hook for fixing the Q series large type blank cover to the Q series module bottom
3)	Module fixing screw	Screw for fixing a module to the Q series large type base unit (M3×12 screws)

5. MOUNTING AND INSTALLATION

5.1 Handling Precautions

This section explains handling precautions for the Q series large type base unit and Q series large type I/O module.

- (1) Do not disassemble the Q series large type base unit since it is precision apparatus.
- (2) When handling the Q series large type base unit, hold it by the handles located at both sides of the module, not by a fixture.
- (3) The Q series large type base unit cannot be installed to DIN rail. Install it to a control panel by tightening screws through the base mounting holes to the control panel.
- (4) Always mount power supply module on the Q series large type extension base unit excluding the Q55BL.
When the load of a module used is light, the module may operate without power supply module; however, the operation cannot be guaranteed because of its instability.
- (5) Tighten the fixture attachment screws, module fixing screws, and terminal block screws within the following range.

Location of screw	Tightening torque range
Fixture attachment screw (M4×10 screws)	1.39 to 1.89N•m
Module fixing screw (M3×12 screws)	0.36 to 0.48N•m
Module bottom fixing screw (M3×15 screws)	0.36 to 0.48N•m
I/O module terminal block screw (M3×6 screws)	0.43 to 0.57N•m
I/O module terminal block fixing screw (M4×16 screws)	1.02 to 1.38N•m

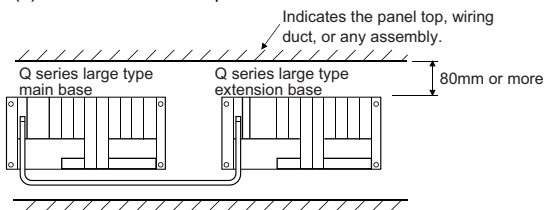
- (6) Do not install the extension cable together with the main circuit (high voltage and high current) line or bring them close to each other.
Keep a distance of 100mm or more between them.
- (7) Mounting modules
When installing the programmable controller in a control panel, fully consider its operability, maintainability, and environmental resistance. Securely mount all the MELSEC-Q series modules used on the base unit. For details on the mounting method, refer to the QCPU User's Manual (Hardware Design, Maintenance and Inspection).

(7) *Montage des modules*

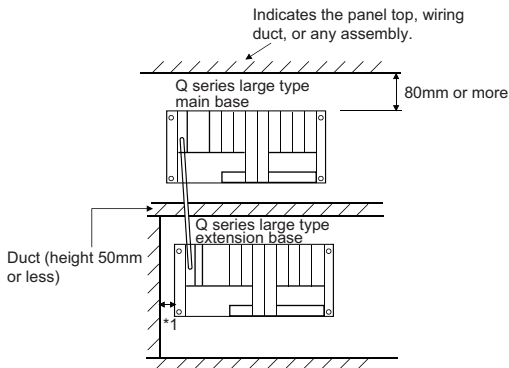
Pour installer l'automate programmable dans un tableau de commande, prendre en compte tous les aspects d'opérabilité, de maintenabilité et de résistance à l'environnement. Monter fermement sur l'unité de base tous les modules de la série MELSEC-Q à utiliser. Pour le détail de la méthode de montage, voir le QCPU User's Manual (Hardware Design, Maintenance and Inspection) (Manuel de l'utilisateur QCPU (conception du matériel, maintenance et inspection)).

5.2 Precautions for Installing the Q series Large Type Base Unit

(1) Module installation position



Parallel installation

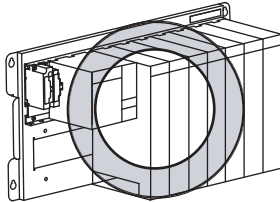


Serial installation

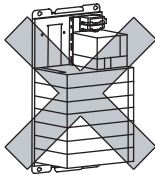
*1 : 20mm or more is required when connecting extension cable without removing adjacent modules.

(2) Module installation direction

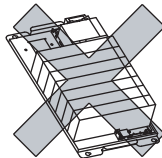
- (a) install the programmable controller in the direction shown below to ensure ventilation for heat dissipation.



- (b) Do not install it in the directions shown below.



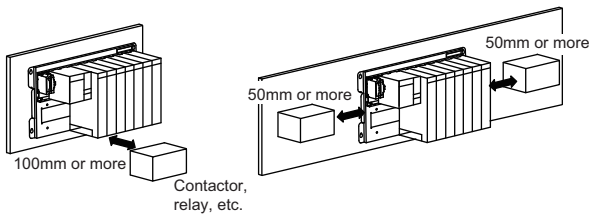
Vertical position



Horizontal position

- (3) Install the base unit on a flat surface.
When the base unit is installed on an uneven surface, the printed-circuit board may be strained, resulting in a malfunction.
- (4) Do not install the programmable controller together with a vibration source such as a large electromagnetic contactor or non-fuse breaker. Install the programmable controller to the separate panel or isolate it as far as possible.

- (5) Provide the following distances between the programmable controller and devices (contactor and relay) to avoid the influence of radiated noise or heat.
- Device installed in front of the programmable controller: 100mm or more
 - Device installed on either side of the programmable controller: 50mm or more



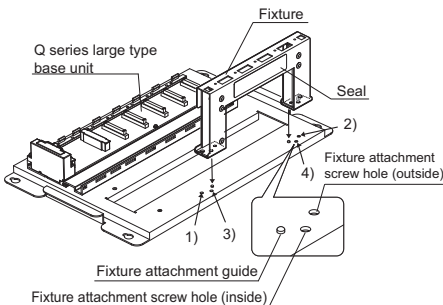
5.3 Attaching a Fixture to the Q Series Large Type Base Unit

- (1) The following shows a procedure for attaching a fixture to the Q series large type base unit.

Fix a fixture so that it can fit to the fixture attachment guide at the bottom of the Q series large type base unit. (Set the fixture so that the side on which a seal is affixed can be the front.)

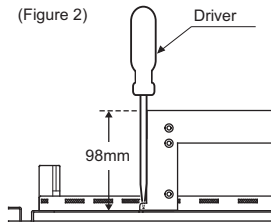
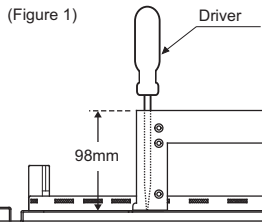
Tighten fixture attachment screws on the Q series large type base unit by four places in the order from 1) to 4).

End



Point

1. Before installing the Q series large type base unit to a control panel, attach a fixture to the base unit.
2. Attach a fixture to the Q series large type base unit with screws as shown below.
 - Tightening the inside fixture attachment screws (Figure 1)
Insert a driver (100mm or more) from square holes at the both top sides of the fixture and tighten the screws.
 - Tightening the outside fixture attachment screws (Figure 2)
Tighten them from outside of the fixture.



- (2) When removing the fixture from the Q series large type base unit, make sure that the fixture attachment screws are completely loose beforehand.

5.4 Mounting/Removing Modules

This section explains procedures for mounting/removing the Q series large type I/O module and Q series module on/from the Q series large type base unit.

5.4.1 Mounting/removing the Q series large type I/O module

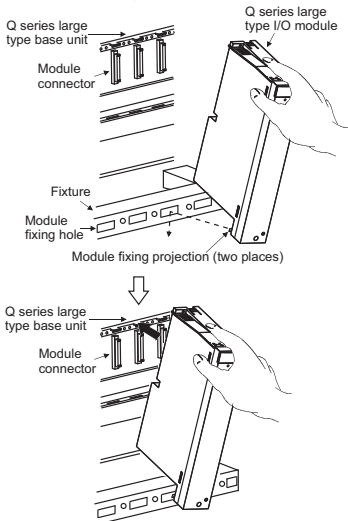
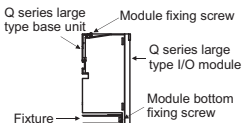
- (1) The following shows a procedure for mounting the Q series large type I/O module on the Q series large type base unit.

Insert the module fixing projections (two places) into module fixing holes on the fixture attached to the Q series large type base unit.

To mount Q series large type I/O module on the Q series large type base unit, push the module in the direction of the arrow while using the module fixing hole as a supporting point.

After checking that the Q series large type I/O module is fully inserted into the Q series large type base unit, fix the module with module fixing screws and module bottom fixing screws.

End



Point

1. Always insert the module fixing projections of the Q series large type I/O module into the module fixing holes. Forced mounting without inserting the projections may damage the module connector and/or Q series large type I/O module.
2. When mounting the Q series large type I/O module on the Q series large type base unit, tighten module fixing screws and module bottom fixing screws.
3. When mounting the renewal tool on the left of the QY23L, always mount the QY23L first.

- (2) The following shows a procedure for removing the Q series large type I/O module from the Q series large type base unit.

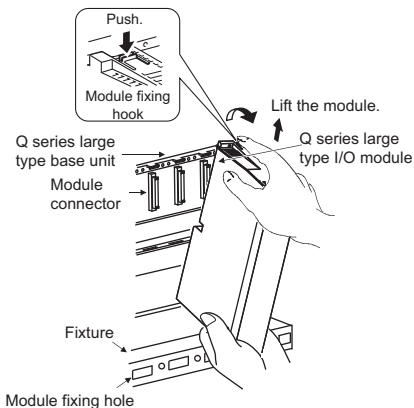
Remove the module fixing screws and module bottom fixing screws.

Hold the Q series large type I/O module with both hands and push the module fixing hook at the module top with a finger until it stops.

Push the module fixing hook while using the module bottom as a supporting point, and pull the Q series large type I/O module forward.

Pull the module fixing projections out of the module fixing holes while lifting the Q series large type I/O module.

End



Point

1. To remove the Q series large type I/O module, always loosen the module fixing screws and module bottom fixing screws first, and then pull the module fixing projections out of the module fixing holes. Forced removal of the module may damage the module fixing projections.
2. When the renewal tool is mounted on the left of the QY23L, always remove the renewal tool first.

5.4.2 Attaching/removing the dustproof cover for fuse replacement window (QY23L only)

When mounting the QY23L on the Q series large type base unit in the following conditions, attach the supplied dustproof cover for fuse replacement window.

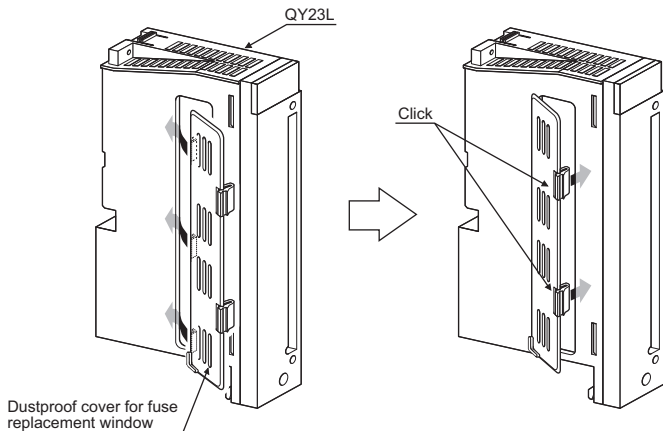
- Mounting the Q series module on the I/O slot immediate left of a slot where the QY23L is to be mounted
- Mounting the QY23L on the I/O slot leftmost on the Q series large type base unit

Not attaching the dustproof cover for fuse replacement window may cause an entry of foreign matter inside the module, resulting in a failure.

(1) Attachment

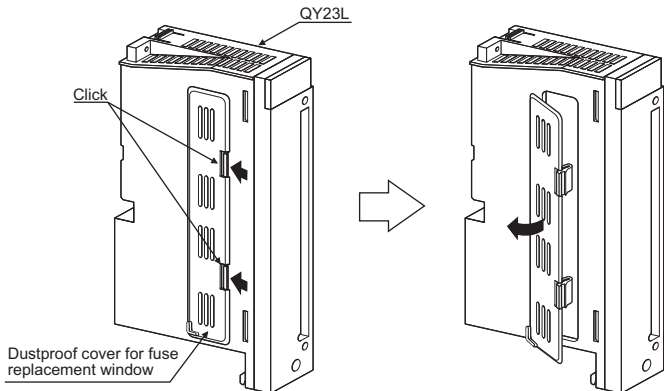
As shown below, insert the left side of dustproof cover for fuse replacement window first, and then push the two clicks on the dustproof cover into the module side.

(Make sure to attach it without a lift.)



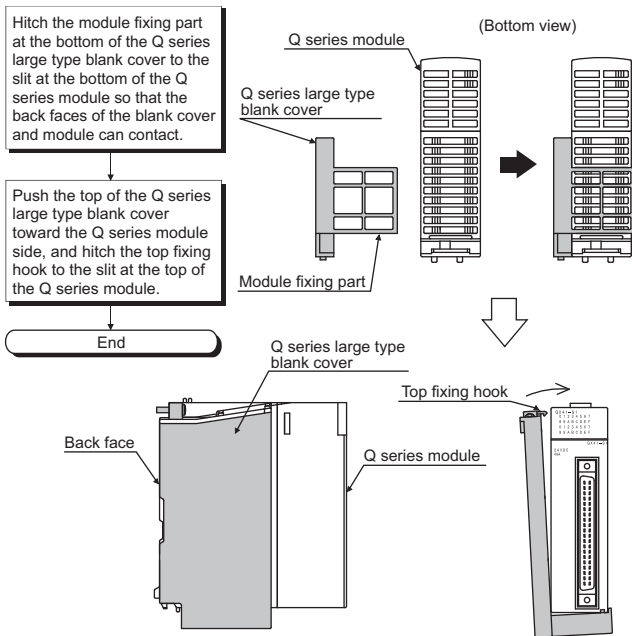
(2) Removal

As shown below, lift the dustproof cover for fuse replacement window while pressing the two clicks on the dustproof cover in the direction of the arrows.




5.4.3 Mounting/removing the Q series module

- (1) The following shows procedures for mounting the Q series module on the Q series large type base unit.
 - (a) Attaching the Q series large type blank cover
The following shows a procedure for attaching the Q series large type blank cover to the Q series module.



Point

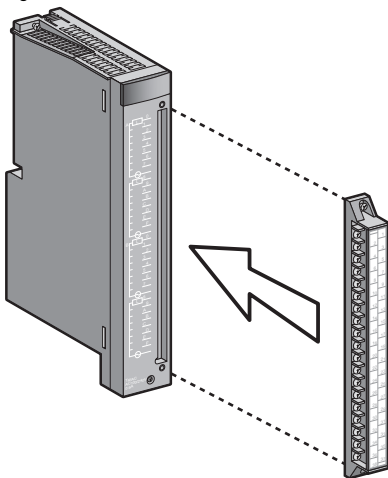
When mounting the Q series module with Q series large type blank cover on the Q series large type base unit, always tighten the module fixing screws of the Q series large type blank cover.

- (b) Removing the Q series large type blank cover
To remove the Q series large type blank cover from the Q series module, remove the bottom fixing hook first.
- (c) Mounting to/removal from the Q series large type base unit
For procedures of mounting/removing the Q series module on/from the Q series large type base unit, refer to the following manual.
 QCPU User's Manual (Hardware Design, Maintenance and Inspection)

5.5 Attaching/Removing the Terminal Block

This section explains the methods for attaching/removing the A series 38-point terminal block to/from the Q series large type I/O module.

- (1) Attaching the terminal block
Attach the A series 38-point terminal block to the Q series large type I/O module and tighten the terminal block fixing screws by the top and bottom of the terminal block with the specified torque range.



- (2) Removing the terminal block
Loose the terminal block fixing screws at the top and bottom of the terminal block and remove the terminal block.

6. MAINTENANCE AND INSPECTION

6.1 Replacing Output Module Fuse

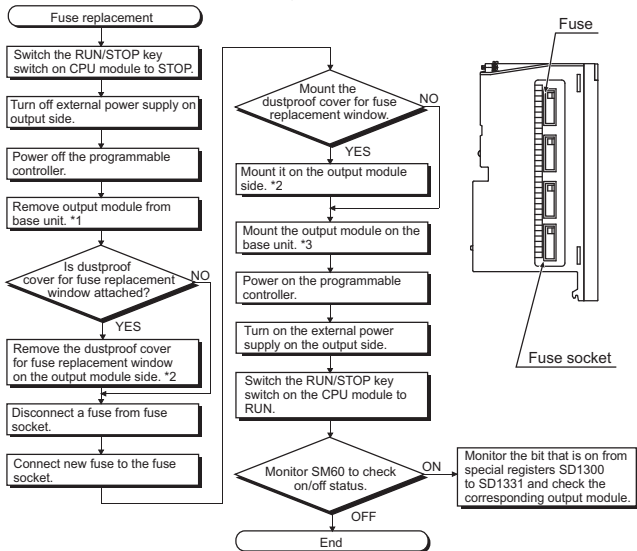
Even if a fuse is not blown, the element is gradually deteriorated due to inrush current; therefore, it should be replaced at regular intervals.



CAUTION

- When replacing a fuse, use the specified fuse.
(For the fuse, refer to Section 3.2.2.)
Using high capacity fuse or an electric wire may cause a fire.

The procedure for replacing a fuse is as follows.



*1 : When the renewal tool is mounted on the left of output module, always remove the renewal tool first.

*2 : For attaching/removing dustproof cover for fuse replacement window, refer to Section 5.4.2.

*3 : When mounting the renewal tool on the left of output module, always mount the output module first.

6.2 Battery Replacement

When replacing batteries used for CPU module (SRAM card), Web server module, MES interface module, be sure of the following.

- (1) The Web server module and MES interface module cannot replace a battery with Q series large type blank cover mounted.
Replace the battery after removing the blank cover.
For replacement procedure of batteries, refer to the User's Manual for each module.
- (2) If modules having larger depth than the CPU module are mounted on the both adjacent slots, using the following tweezers are recommended for replacing SRAM card battery.

Product	Model	Manufacturer
Plastic tweezers	NK-2539	Mitsubishi Electric System & Service Co., Ltd.

For replacement procedure of SRAM card battery, refer to the following manual.



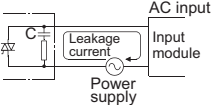
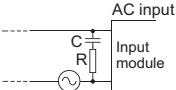
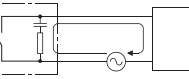
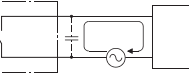
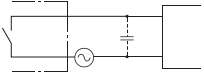
QCPU User's Manual (Hardware Design, Maintenance and Inspection)

7. I/O MODULE TROUBLESHOOTING

This chapter explains possible problems with I/O circuits and their corrective actions.

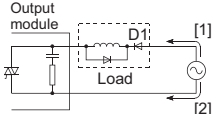
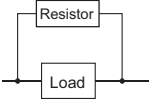
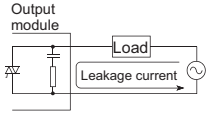
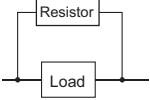
7.1 Input Circuit Troubleshooting

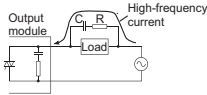
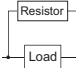
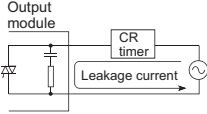
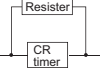
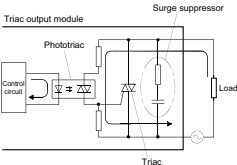
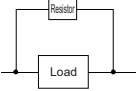
This section explains possible problems with input circuits and their corrective actions.

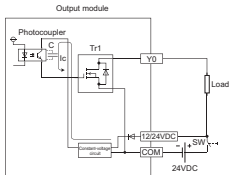
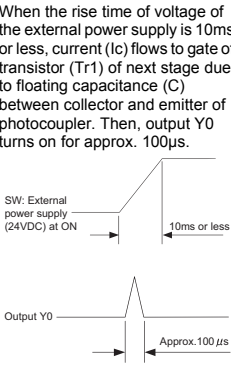
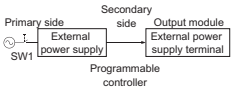
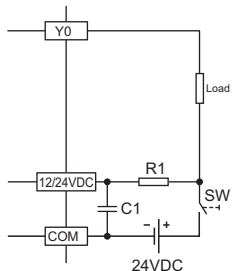
Number	Status	Cause	Corrective action
Example 1	Input signal does not turn off.	<ul style="list-style-type: none"> Leakage current of input switch (such as a drive with contactless switch). 	<ul style="list-style-type: none"> Connect an appropriate resistor so that the voltage across the terminals of the input module will be less than the off voltage.  <p>Using 0.1 to 47μF + 47 to 120Ω (1/2W) as the constant of the capacitor and resistor is recommended.</p>
Example 2	Input signal does not turn off.	<ul style="list-style-type: none"> Drive with a limit switch with neon lamp 	<ul style="list-style-type: none"> Same as Example 1 Separate the circuit and create another display circuit.
Example 3	Input signal does not turn off.	<ul style="list-style-type: none"> Leakage current due to line capacity of wiring cable (Line capacity C of twisted pair cable is approximately 100 pF/m). 	<ul style="list-style-type: none"> Same as Example 1 (However, leakage current is not generated when the power supply is on the input device side as shown below.) 

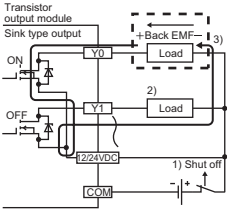
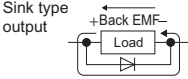
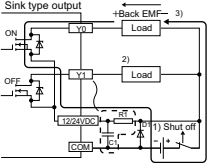
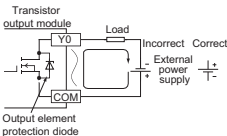
7.2 Output Circuit Troubleshooting

This section explains possible problems with output circuits and their corrective actions.

Number	Status	Cause	Corrective action
Example 1	Excessive voltage is applied to a load when output turns off.	<ul style="list-style-type: none"> When a load is half-wave rectified inside (This status is typical of some solenoids.)  <ul style="list-style-type: none"> When the polarity of the power supply is [1], the capacitor is charged. When the polarity is [2], the voltage charged in capacitor + the power supply voltage is applied to both sides of D1. The maximum value of the voltage is approximately 2.2E. (This usage does not pose problems to the output components but may deteriorate the diode built in the load, causing burnout, etc.) 	<ul style="list-style-type: none"> Connect a resistor of several tens of $k\Omega$ to several hundreds of $k\Omega$ to both sides of the load. 
Example 2	A load does not turn off. (triac output)	<ul style="list-style-type: none"> Leakage current due to the built-in surge suppressor 	<ul style="list-style-type: none"> Connect a resistor to both sides of the load. (If the wiring from the output module to the load is long, be careful since there may be a leakage current due to line capacity.) 

Number	Status	Cause	Corrective action
Example 3	A load turns off with a delay. (triac output)	<ul style="list-style-type: none"> Leakage current due to load surge suppressor. 	<ul style="list-style-type: none"> Remove the surge suppressor from both sides of the load and leave the resistor. (If the wiring from the output module to the load is long, be careful since there may be a leakage current due to line capacity.)  <p>Recommended resistance At 100VAC: 5 to 10kΩ, 5 to 3W At 200VAC: 10 to 20kΩ, 15 to 10W</p>
Example 4	When a load is CR timer, time period fluctuates. (triac output)		<ul style="list-style-type: none"> Connect a resistor to both sides of CR timer. (If the wiring from the output module to the load is long, be careful since there may be a leakage current due to line capacity.)  <p>Calculate the constant of the resistor by a load.</p>
Example 5	Load is not turned off (triac output)	<ul style="list-style-type: none"> When the load current is equal to or under the minimum load current of the output module, the triac does not operate and the load current flows to the phototriac as shown by an arrow in the following figure. If an inductive load is connected under this condition, surge current at OFF time is applied to the phototriac and the load may not be turned off. Also, even when the load current is greater than the minimum load current, the load may not be turned off if the load current is 25mA or less. 	<ul style="list-style-type: none"> Connect a resistor to both ends of the load so that greater current than the minimum load current flows.  <p>[Example of countermeasure] When load current 100mA is used, the resistance is determined as 1kΩ from the following formula. Resistance = 100VAC (output voltage)/100mA = 1kΩ</p>

Number	Status	Cause	Corrective action
<p style="text-align: center;">Example 6</p>	<p>A load momentarily turns on when powering on the external power supply (transistor output).</p>	<p>An incorrect output occurs due to floating capacitance(C) between collector and emitter of photocoupler.</p> <p>When a high sensitivity load (such as solid state relay) is used, this incorrect output may occur.</p>  <p>When the rise time of voltage of the external power supply is 10ms or less, current (Ic) flows to gate of transistor (Tr1) of next stage due to floating capacitance (C) between collector and emitter of photocoupler. Then, output Y0 turns on for approx. 100µs.</p>  <p>SW: External power supply (24VDC) at ON</p> <p>Output Y0</p>	<p>Action 1: Check that the rise time of the external power supply is 10ms or more. And then, install a switch (SW1) for turning on or off external power supply to the primary side of it.</p>  <p>Action 2: When installing the SW1 to the secondary side of it is required, make the rise time to 10ms or more and connect a capacitor and resistor as shown below.</p>  <p>R1: Several tens of ohms Power capacity $\geq (\text{external power supply current})^2 \times \text{resistance value} \times (3 \text{ to } 5)^2$ C1: Several hundred µF 50V</p> <p>Example R1= 40Ω, C1= 300µF Time constant = $C1 \times R1 = 300 \times 10^{-6} \times 40 = 12 \times 10^{-3} [\text{s}] = 12 [\text{ms}]$</p> <p>*1 Check the consumption current of the external power supply for modules used.</p> <p>*2 Select the power capacity of resistance to be 3 to 5 times larger than the actual power consumption.</p>

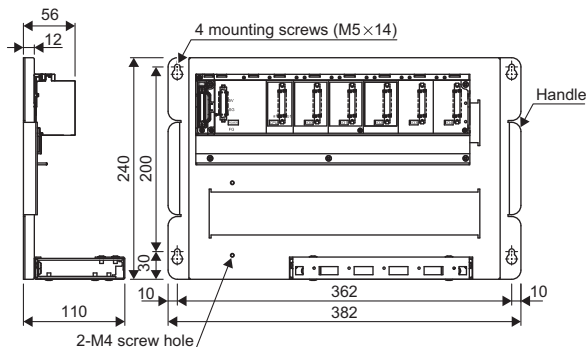
Number	Status	Cause	Corrective action
Example 7	A load momentarily turns on from off when the system is powered off (transistor output).	<p>When an inductive load is connected, 2) Load may turn on from off due to a diversion of back EMF at 1) Shutoff.</p> 	<p>Take one of two actions shown below.</p> <p>Action 1: To suppress the back EMF, connect a diode to 3) parallel to the load where back EMF is generated.</p>  <p>Sink type output</p> <p>Action 2: Configure another current path by connecting a diode across positive and negative of the external power supply. When taking the action described in "A load momentarily turns on when powering on the external power supply" (Example 5) at a time, connect a diode parallel to C1 and R1.</p>  <p>D1 is in the following status.</p> <ul style="list-style-type: none"> Reverse voltage VR ... Approximately 10 times (VRM) higher than the rated voltage in the specifications Example 24VDC → Approximately 200V Forward current IF ... More than twice as much as the maximum load current (common) in the specifications Example 2A/1 common → 4A or more
Example 8	The load operates due to powering on the external power supply. (transistor output)	<p>The polarity of the external power supply is connected in reverse.</p>  <p>Output element protection diode</p> <p>When the polarity is connected in reverse, current may flow across an output element protection diode.</p>	Connect the polarity correctly.

8. EXTERNAL DIMENSIONS

The following shows external dimensions diagrams of the Q series large type base unit, Q series large type I/O module, Q series large type blank cover.

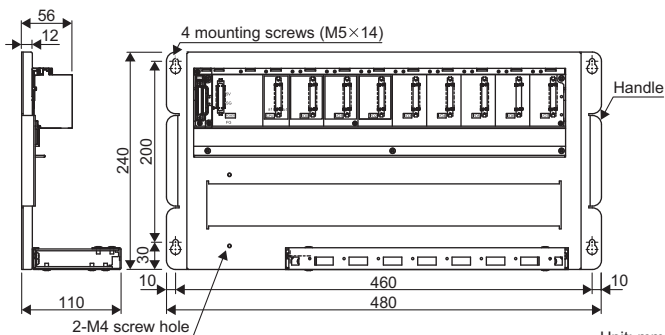
8.1 Q Series Large Type Base unit

(1) Q35BL

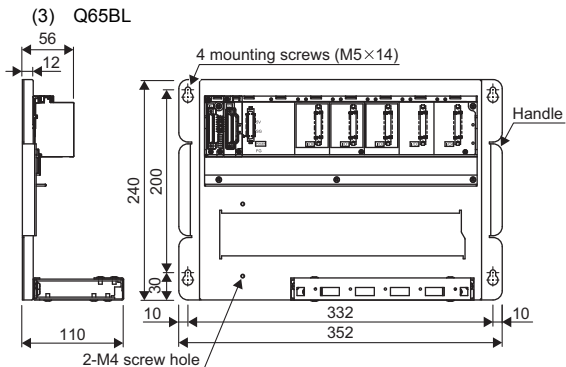


Unit: mm

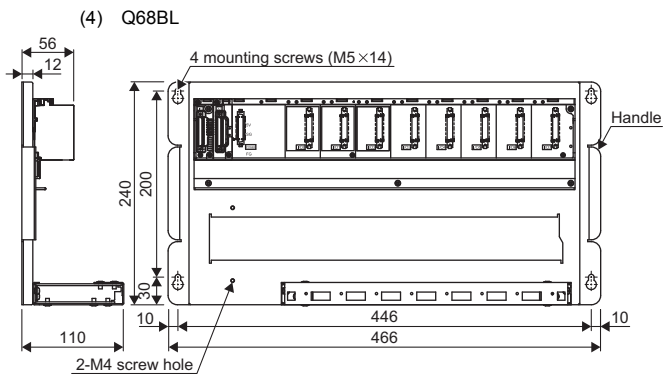
(2) Q38BL



Unit: mm

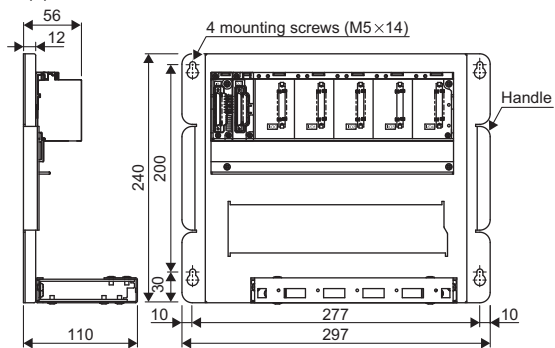


Unit: mm



Unit: mm

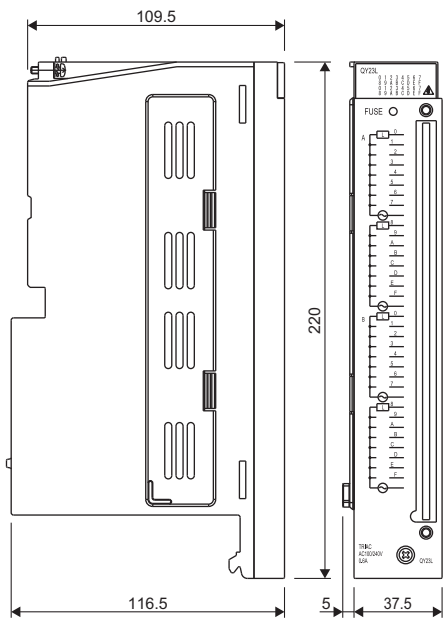
(5) Q55BL



Unit: mm

8.2 Q Series Large Type I/O Module

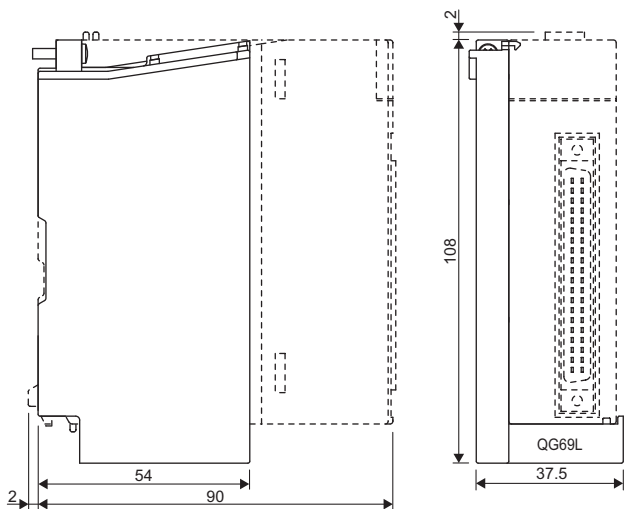
(1) QX11L, QX21L, QY11AL, QY13L, QY23L, QY51PL



Unit: mm

8.3 Q Series Large Type Blank Cover

(1) QG69L



Unit: mm

WARRANTY

Mitsubishi will not be held liable for damage caused by factors found not to be the cause of Mitsubishi; machine damage or lost profits caused by faults in the Mitsubishi products; damage, secondary damage, accident compensation caused by special factors unpredictable by Mitsubishi; damages to products other than Mitsubishi products; and to other duties.

Country/ Region	Sales office/ Tel	Country/ Region	Sales office/ Tel
USA	MITSUBISHI ELECTRIC AUTOMATION, INC. 500 Corporate Woods Parkway, Vernon Hills, IL 60061, U.S.A. Tel : +1-847-478-2100	Turkey	MITSUBISHI ELECTRIC TURKEY A.Ş Ümraniye Branch Serifali Mahallesi Nutuk Sokak No:5, TR-34775 Ümraniye/Istanbul, Turkey Tel : +90-216-526-3990
Mexico	MITSUBISHI ELECTRIC AUTOMATION, INC. Mexico Branch Mariano Escobedo #69, Col. Zona Industrial, Tlalnepeantla Edo. Mexico, C.P.54030 Tel : +52-55-3067-7500	UAE	MITSUBISHI ELECTRIC EUROPE B.V. Dubai Branch Dubai Silicon Oasis, P.O.BOX 341241, Dubai, U.A.E. Tel : +971-4-3724716
Brazil	MITSUBISHI ELECTRIC DO BRASIL COMÉRCIO E SERVIÇOS LTDA. Avenida Adélino Cardana, 293, 21 andar, Bethaville, Barueri SP, Brazil Tel : +55-11-4689-3000	South Africa	ADROIT TECHNOLOGIES 20 Waterford Office Park, 189 Witkoppen Road, Fourways, South Africa Tel : +27-11-658-8100
Germany	MITSUBISHI ELECTRIC EUROPE B.V. German Branch Mitsubishi-Electric-Platz 1, 40882 Ratingen, Germany Tel : +49-2102-486-0	China	MITSUBISHI ELECTRIC AUTOMATION (CHINA) LTD. No.1386 Hongqiao Road, Mitsubishi Electric Automation Center, Shanghai, China Tel : +86-21-2322-3030
UK	MITSUBISHI ELECTRIC EUROPE B.V. UK Branch Travellers Lane, Hatfield, Hertfordshire, AL10 8XB, U.K. Tel : +44-1707-28-8780	Taiwan	SETSUYO ENTERPRISE CO., LTD. 6F, No.105, Wugong 3rd Road, Wugu District, New Taipei City 24889, Taiwan Tel : +886-2-2299-2499
Ireland	MITSUBISHI ELECTRIC EUROPE B.V. Irish Branch Westgate Business Park, Ballymount, Dublin 24, Ireland Tel : +353-1-4198800	Korea	MITSUBISHI ELECTRIC AUTOMATION KOREA CO., LTD. 7F-9F, Gangseo Hangang Xi-tower A, 401, Yangcheon-ro, Gangseo-Gu, Seoul 07528, Korea Tel : +82-2-3660-9530
Italy	MITSUBISHI ELECTRIC EUROPE B.V. Italian Branch Centro Direzionale Colleoni-Palazzo Sirio Viale Colleoni 7, 20864 Agrate Brianza(Milano) Italy Tel : +39-039-60531	Singapore	MITSUBISHI ELECTRIC ASIA PTE. LTD. 307, Alexandra Road, Mitsubishi Electric Building, Singapore 159943 Tel : +65-6473-2308
Spain	MITSUBISHI ELECTRIC EUROPE, B.V. Spanish Branch Carretera de Rubí, 76-80-Apdo. 420, 08190 Sant Cugat del Vallés (Barcelona), Spain Tel : +34-935-65-3131	Thailand	MITSUBISHI ELECTRIC FACTORY AUTOMATION (THAILAND) CO., LTD. 12th Floor, SV City Building, Office Tower 1, No. 896/19 and 20 Rama 3 Road, Kwaeng Bangpangpang, Khet Yannawa, Bangkok 10120, Thailand Tel : +66-2682-6522
France	MITSUBISHI ELECTRIC EUROPE B.V. French Branch 25, Boulevard des Bouvets, 92741 Nanterre Cedex, France Tel : +33-1-55-68-55-68	Vietnam	MITSUBISHI ELECTRIC VIETNAM COMPANY LIMITED Hanoi Branch 6th Floor, Detech Tower, 8 Ton That Thuyet Street, My Dinh 2 Ward, Nam Tu Liem District, Hanoi, Vietnam Tel : +84-4-3937-8075
Czech Republic	MITSUBISHI ELECTRIC EUROPE B.V. Czech Branch Avenir Business Park, Radlicka 751/113e, 158 00 Praha5, Czech Republic Tel : +420-251-551-470	Indonesia	PT. MITSUBISHI ELECTRIC INDONESIA Gebung Jaya 11th Floor, J.L. MH. Thamrin No.12, Jakarta Pusat 10340, Indonesia Tel : +62-21-3192-6461
Poland	MITSUBISHI ELECTRIC EUROPE B.V. Polish Branch ul. Krakowska 50, 32-083 Balice, Poland Tel : +48-12-347-65-00	India	MITSUBISHI ELECTRIC INDIA PVT. LTD. Pune Branch Emerald House, EL-3, J Block, M.I.D.C., Bhosari, Pune-411026, Maharashtra, India Tel : +91-20-2710-2000
Sweden	MITSUBISHI ELECTRIC EUROPE B.V. (Scandinavia) Fjellievägen 8, SE-22736 Lund, Sweden Tel : +46-8-625-10-00	Australia	MITSUBISHI ELECTRIC AUSTRALIA PTY. LTD. 348 Victoria Road, P.O. Box 11, Rydalmere, N.S.W 2116, Australia Tel : +61-2-9684-7777
Russia	MITSUBISHI ELECTRIC (RUSSIA) LLC St. Petersburg Branch Piskarevsky pr. 2, bld 2, lit "Sch", BC "Benua", office 720; 195027 St. Petersburg, Russia Tel : +7-812-633-3497		

MITSUBISHI ELECTRIC CORPORATION

HEAD OFFICE : TOKYO BUILDING, 2-7-3 MARUNOUCHI, CHIYODA-KU, TOKYO 100-8310, JAPAN
NAGOYA WORKS : 1-14, YADA-MINAMI 5-CHOME, HIGASHI-KU, NAGOYA, JAPAN

When exported from Japan, this manual does not require application to the Ministry of Economy,
Trade and Industry for service transaction permission.

Specifications subject to change without notice.